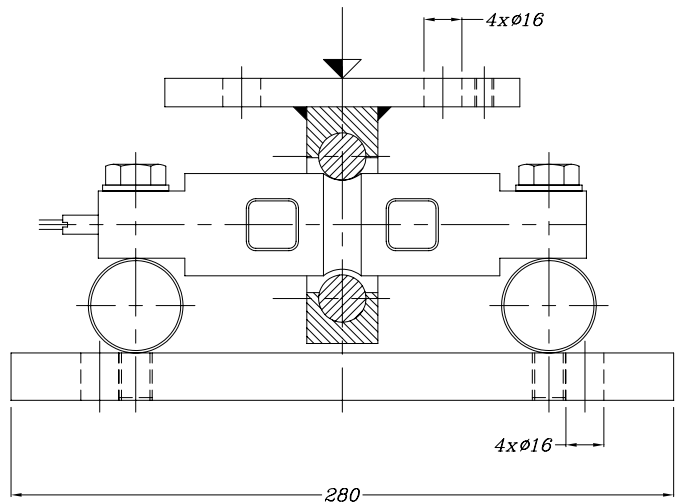
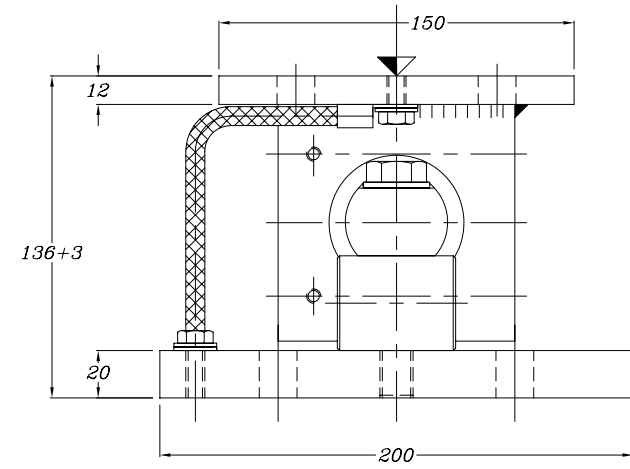
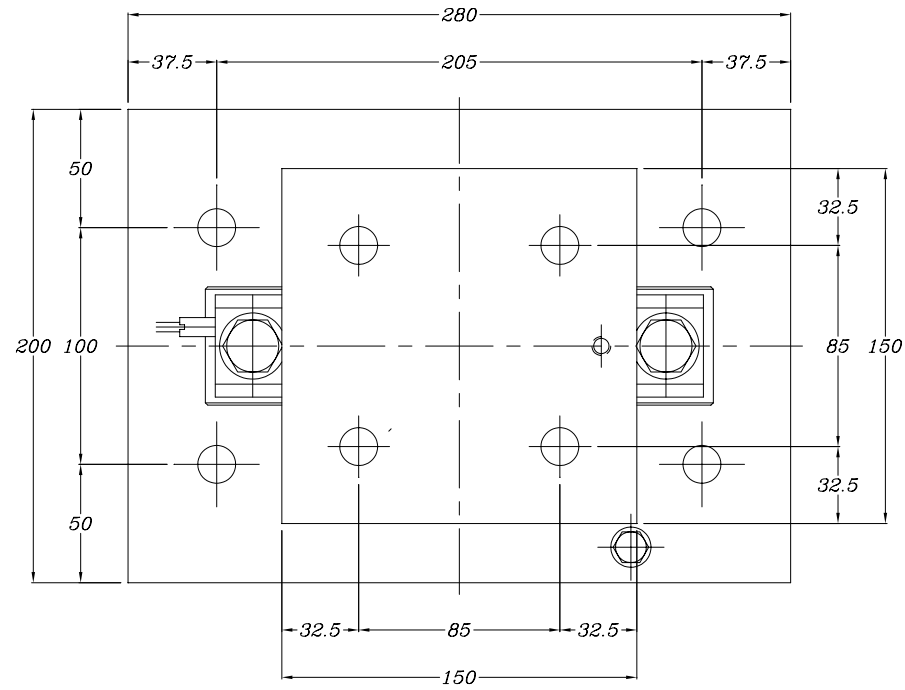
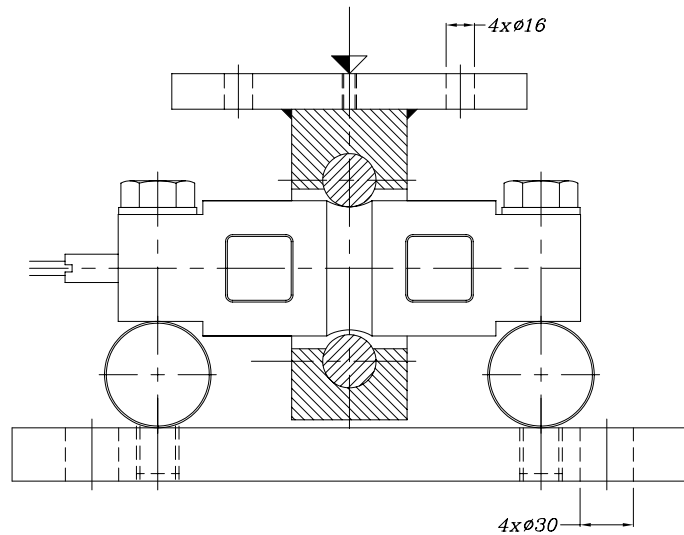
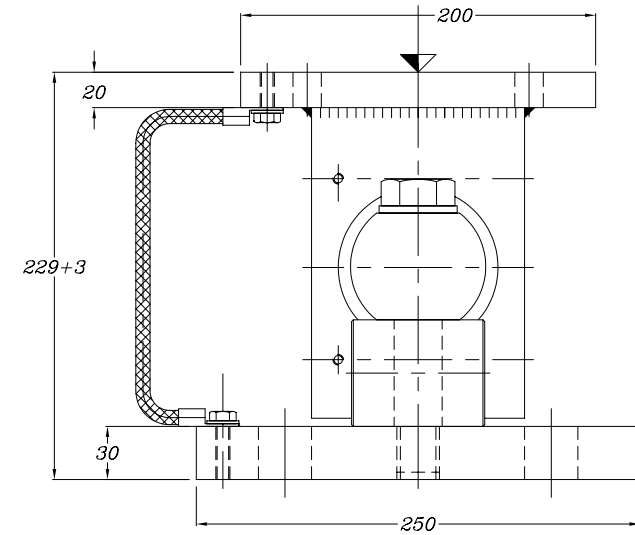
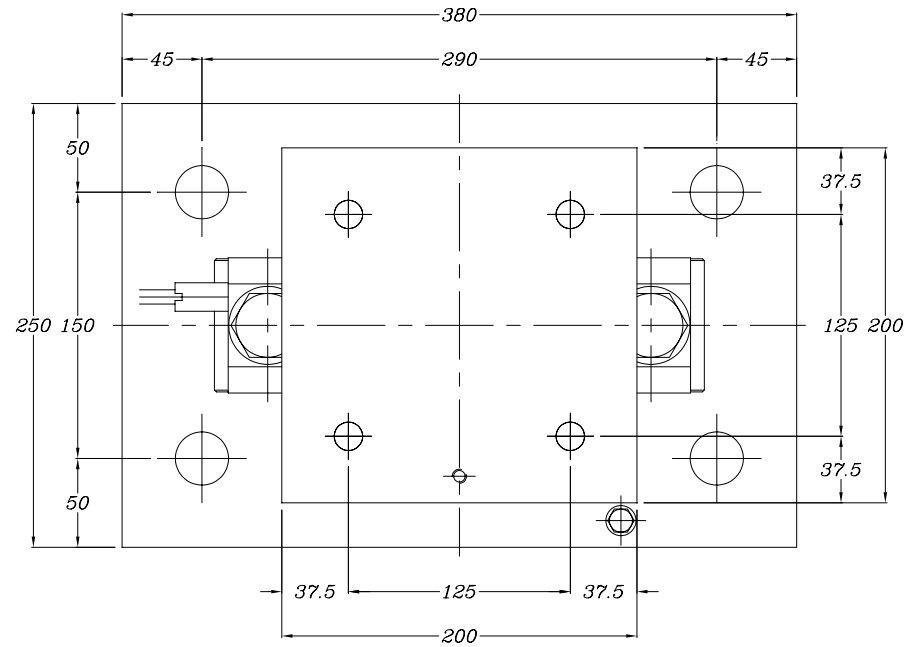


Date	Let	Revision	By	Chk	Approvals
15-06-'05	-	New Drawing	U.D.		



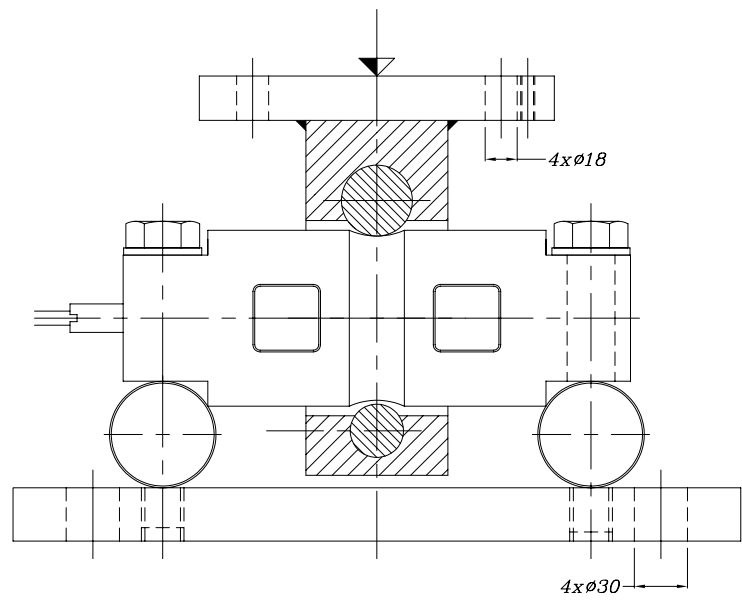
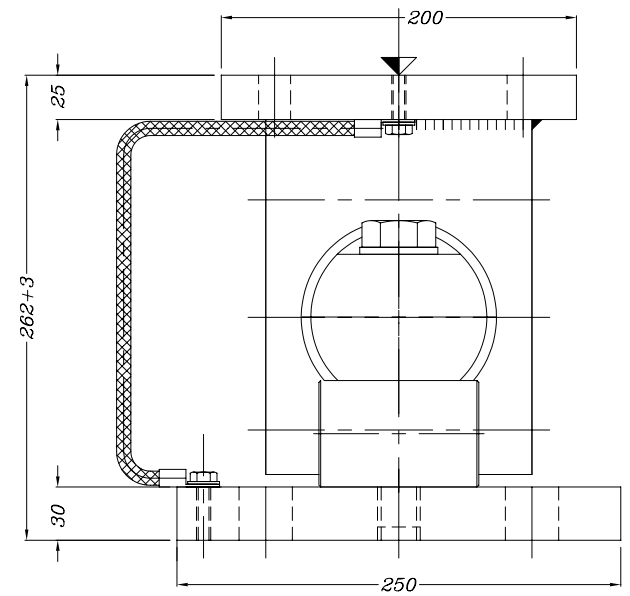
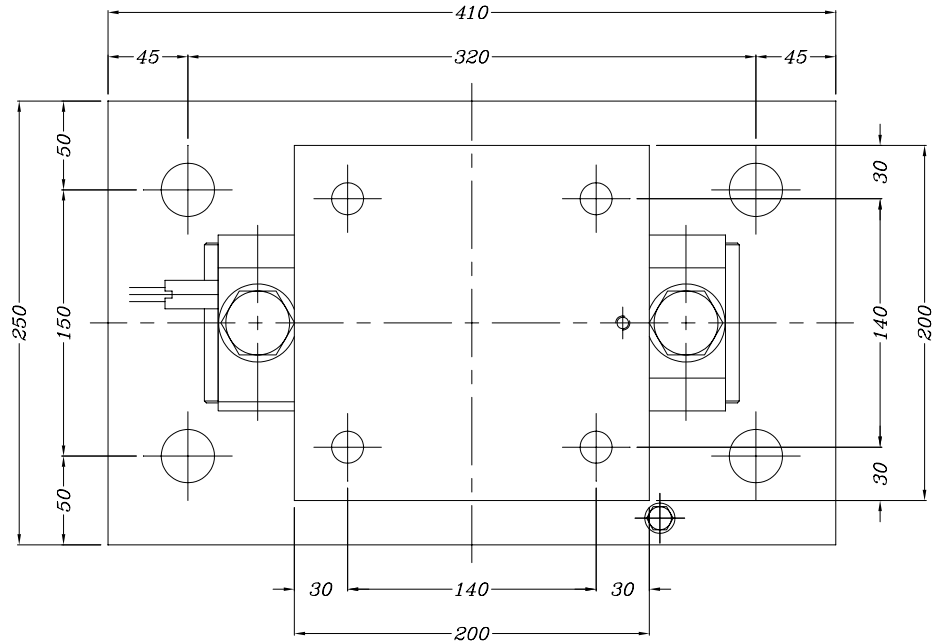
799915-00	Nickel Platted Steel Assembly		THIS DRAWING SHALL NOT BE REPRODUCED WITHOUT PERMISSION OF REVERE TRANSDUCERS EUROPE
Partnumber	Specification		
REVERE TRANSDUCERS EUROPE			PROJ.
GEN.TOL .	ANGLE ±	MATERIAL:	
SCALE 1:1.5	ROUGHN. <input checked="" type="checkbox"/>	FINISH:	DATE : 28-02-'02
DRAWN : F.Grootenboer		799915C	SIZE
51/9103 - 5/20 Klbs		SHEET: 1 OF 1	Rev A2

Date	Let	Revision	By	Chk	Approvals
15-06-'05	-	New Drawing	U.D.		



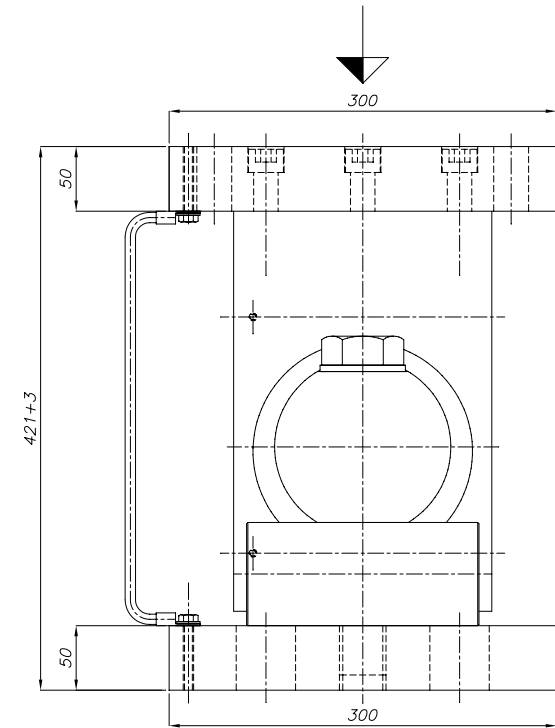
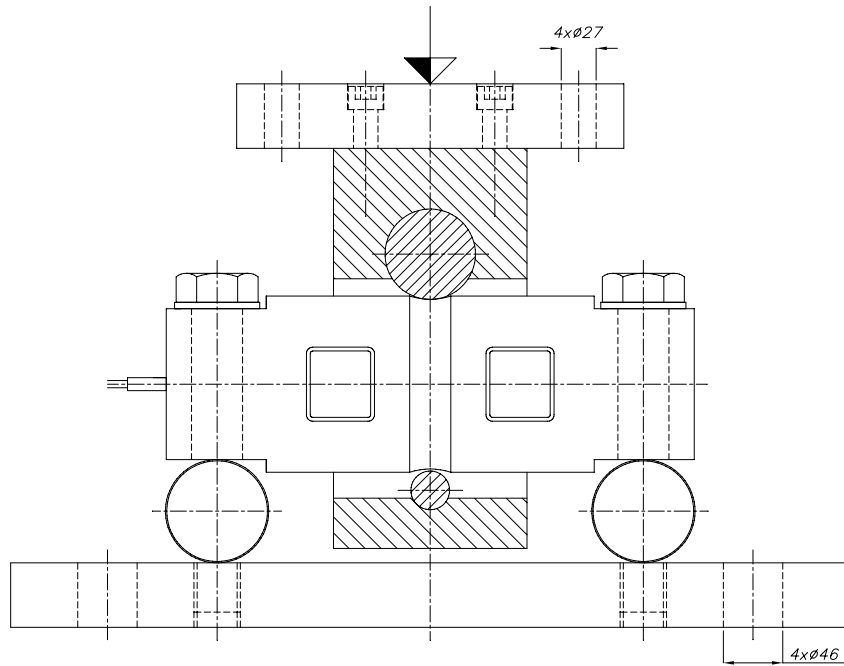
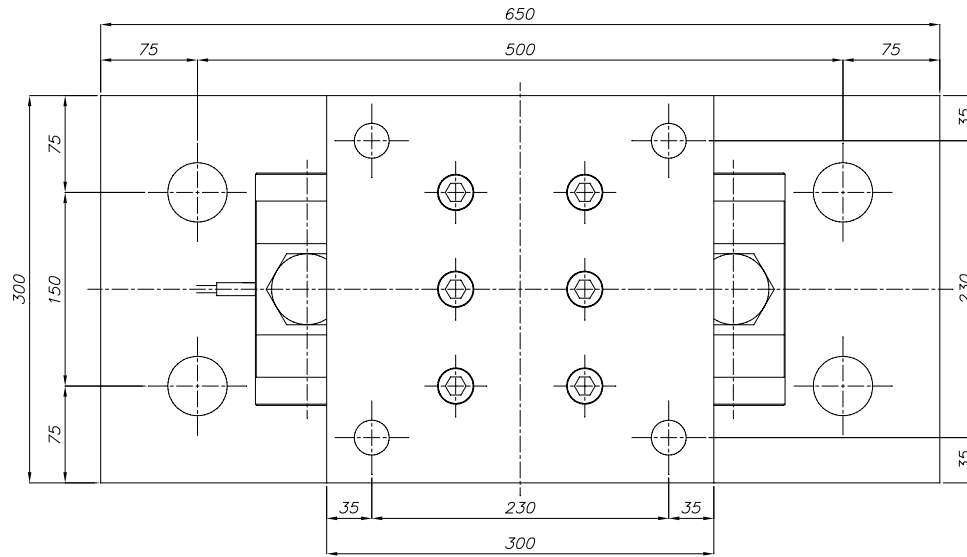
799916-00	Nickel Platted Steel Assembly		THIS DRAWING SHALL NOT BE REPRODUCED WITHOUT PERMISSION OF REVERE TRANSDUCERS EUROPE
Partnumber	Specification		
REVERE TRANSDUCERS EUROPE			PROJ.
GEN.TOL .	ANGLE ±	MATERIAL:	
SCALE 1:2	ROUGHN. <input checked="" type="checkbox"/>	FINISH:	DATE : 28-02-'02
DRAWN : F.Grootenboer		DRAWING : Tank Mount	
51/9103 - 30/60 Klbs		799916C	SIZE A2
		SHEET: 1 OF 1	Rev

Date	Let	Revision	By	Chk	Approvals
28-02-'02	-	New Drawing	F.G	.	



799917-11		Nickel Platted Steel Assembly		THIS DRAWING SHALL NOT BE REPRODUCED WITHOUT PERMISSION OF REVERE TRANSDUCERS EUROPE
Partnumber		Specification		
REVERE TRANSDUCERS EUROPE				PROJ.
GEN.TOL .	ANGLE ±	MATERIAL:		
SCALE 1:2	ROUGHN. <input checked="" type="checkbox"/>	FINISH:		DATE : 28-02-'02
DRAWN : F.Grootenboer		DRAWING :		799917C
Tank mount 51/9103 - 150 Klbs		SHEET: 1 OF 1		Rev A2

Date	Let	Revision	By	Chk	Approvals
28-02-'02	-	New Drawing	F.G	U.D.	



799918-00	Nickel Platted Steel Assembly
Partnumber	Specification

REVERE TRANSDUCERS EUROPE

GEN.TOL	ANGLE ±	MATERIAL:
SCALE 1:2.75	ROUGHN. ✓	PROJ.
DRAWN : F.Grootenboer	FINISH:	DATE : 28-02-'02

THIS DRAWING SHALL NOT BE REPRODUCED WITHOUT PERMISSION OF REVERE TRANSDUCERS EUROPE

DRAWING :
Tank mount 51/9103-200/250 Klbs

799918C	-	SIZE
SHEET: 1 OF 1	Rev	A2