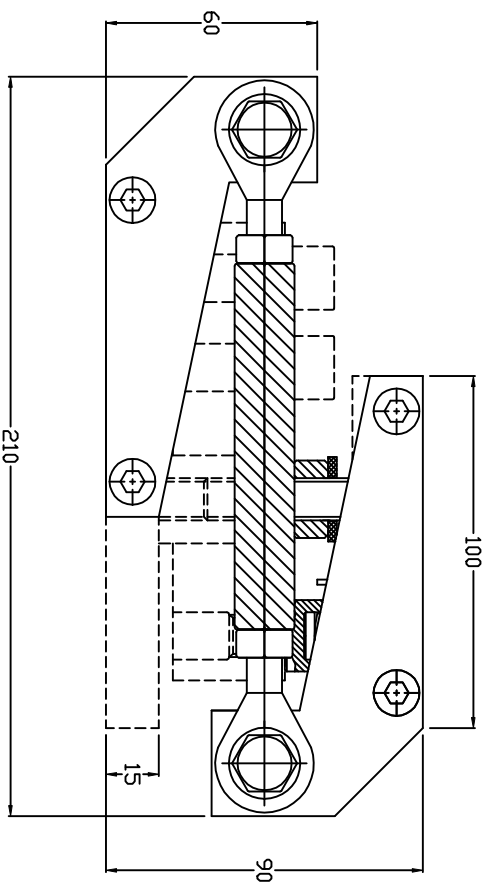
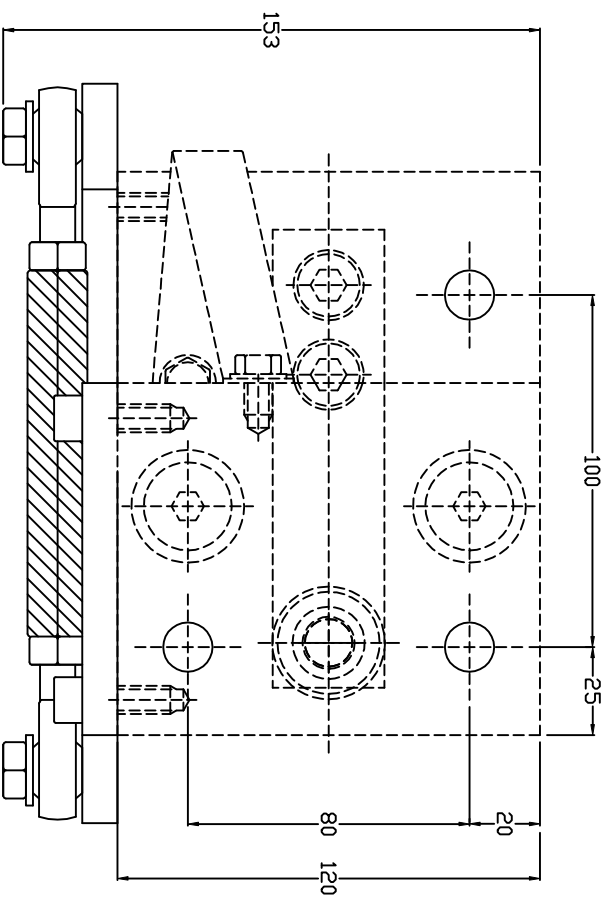


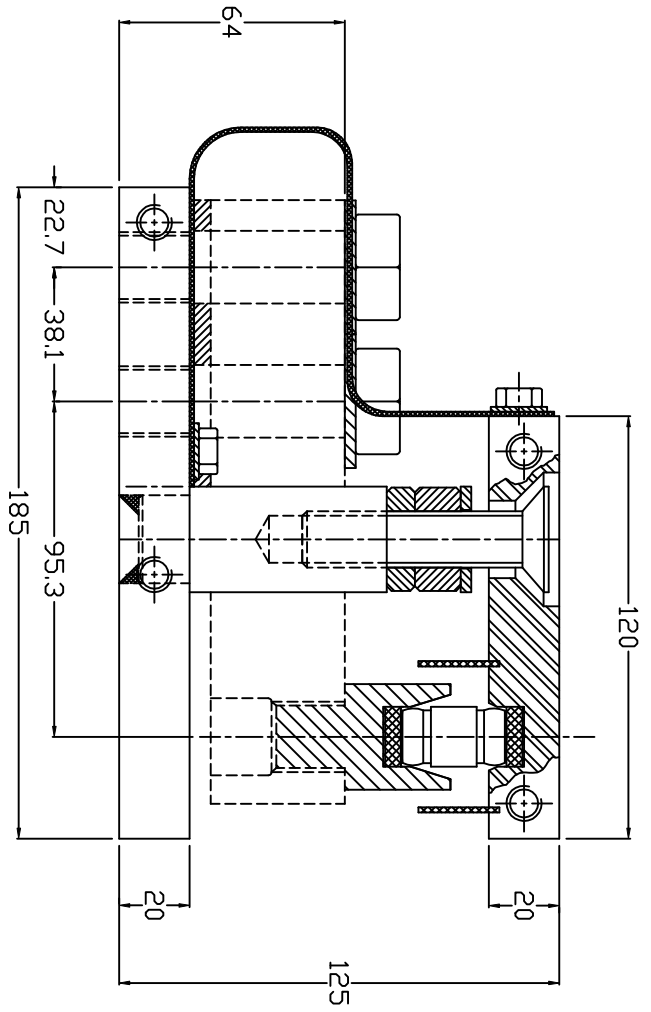
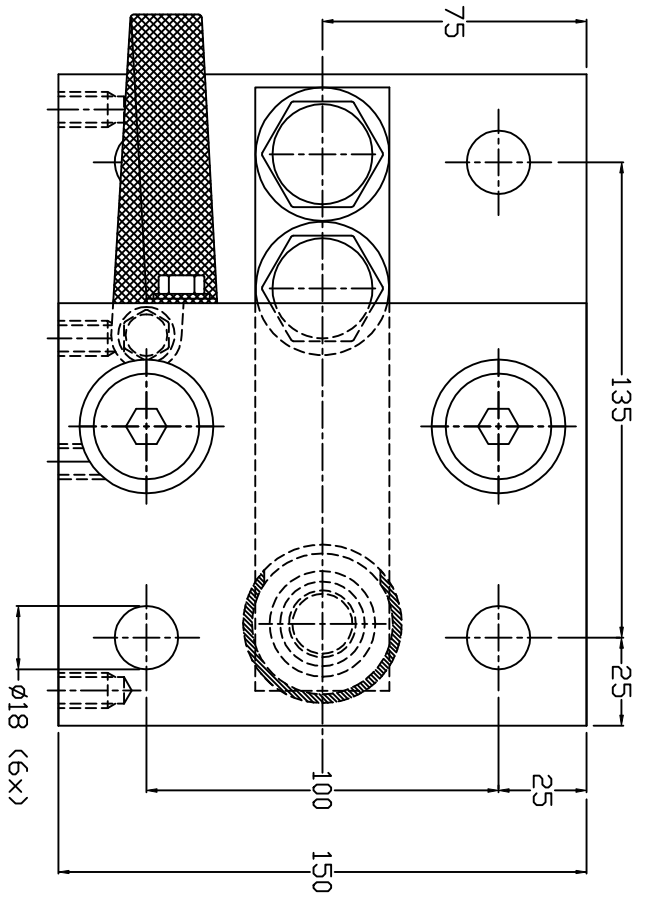
499057-10	Stainless Steel
499057-00	Steel Nickel Plated
PARTNUMBER	SPECIFICATION
REVERE TRANSDUCERS EUROPE	
GEN. TOL. \pm	ANGLE \pm
SCALE : U/Dreischof	ROUGHN. <input checked="" type="checkbox"/>
DRAWN : U/Dreischof	FINISH:
MATERIAL:	
DATE : 07-10-'96	
PROU.	DATE
THIS DRAWING SHALL NOT BE REPRODUCED WITHOUT THE WRITTEN PERMISSION OF REVERE TRANSDUCERS EUROPE.	
DRAWING : Self Aligning Mount	499057
5123 0.5-2t	SHEET: 1 OF 1
Rev	SIZE A2



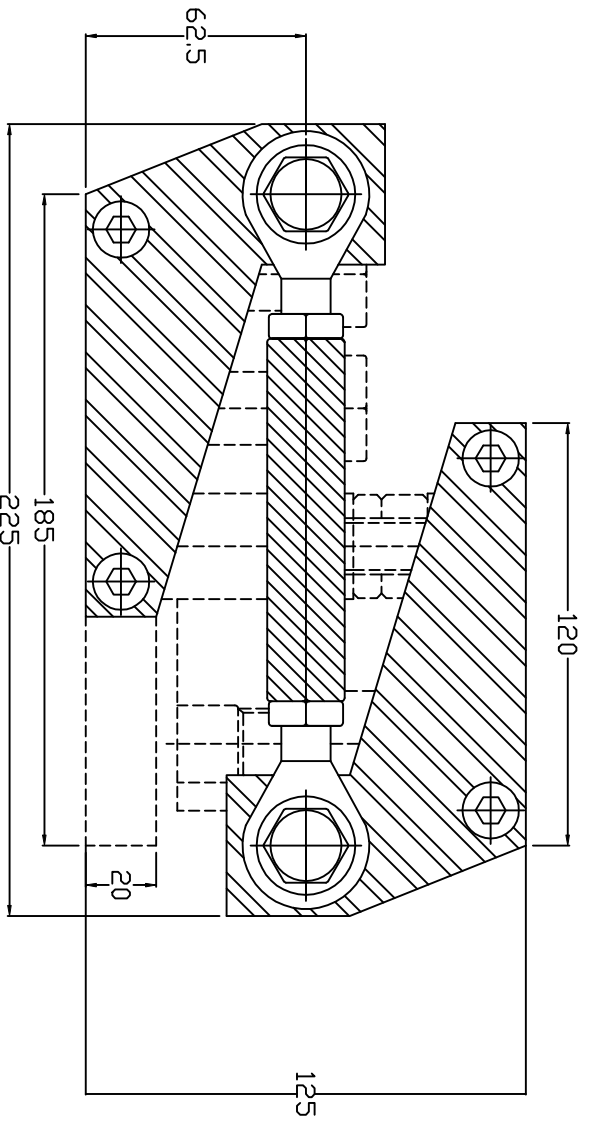
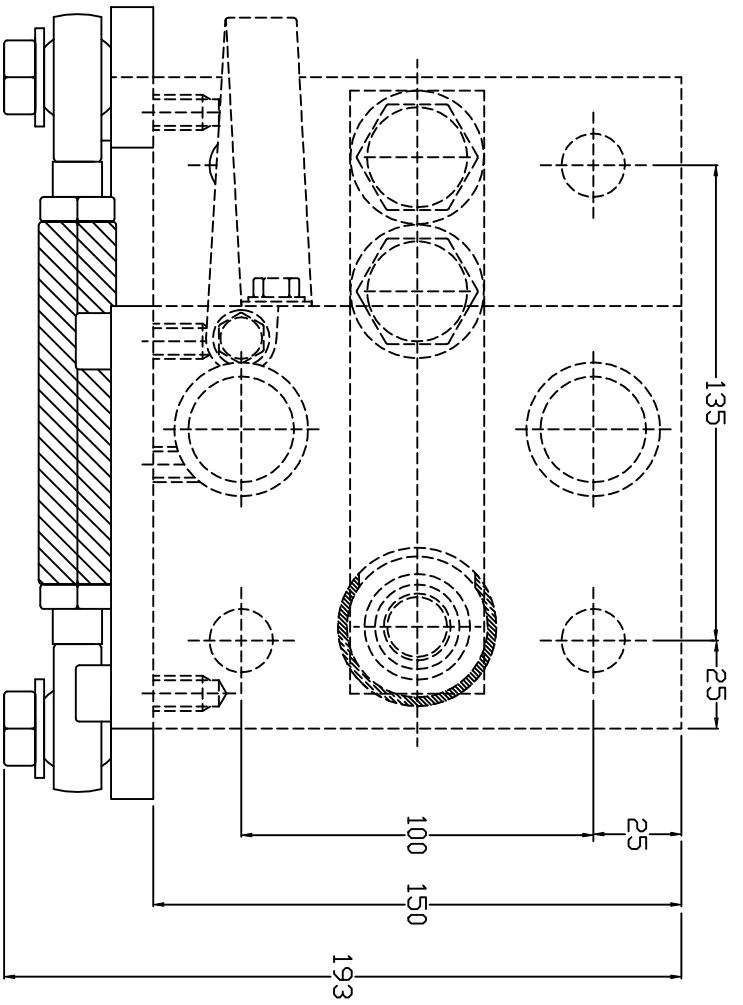
499068-10	Stainless Steel
499068-00	Steel Nickel Plated
PARTNUMBER	SPECIFICATION

REVERE TRANSDUCERS EUROPE

GEN. TOL. ±	ANGLE ±	MATERIAL:	THIS DRAWING SHALL NOT BE REPRODUCED WITHOUT THE WRITTEN PERMISSION OF REVERE TRANSDUCERS EUROPE.
SCALE : None	ROUGHN. ✓	FINISH:	
DRAWN : U.Dreischarf		DATE : 11-10-'96	PROJ.
DRAWING : Stay Rod Assembly		499068	SIZE
SAM 6123 0.5/zt		SHEET: 1 OF 1	Rev A2



499058-10	Stainless Steel
499058-00	Steel Nickel Plated
PARTNUMBER	SPECIFICATION
REVERE TRANSDUCERS EUROPE	
GEN. TOL. ±	ANGLE ±
SCALE : U/Dreischorf	ROUGHN. <input checked="" type="checkbox"/>
DRAWN : U/Dreischorf	FINISH:
MATERIAL:	
DATE : 11-10-'96	
PROU.	
THIS DRAWING SHALL NOT BE REPRODUCED WITHOUT THE WRITTEN PERMISSION OF REVERE TRANSDUCERS EUROPE.	
DRAWING : Self Aligning Mount	499058
5123 5t	SHEET: 1 OF 1
Rev	SIZE A2



499069-10	Stainless Steel Assembly
499069-00	Steel Assembly
PARTNUMBER	SPECIFICATION
REVERE TRANSDUCERS EUROPE	
GEN. TOL. ±	ANGLE ±
SCALE : None	ROUGHN. <input checked="" type="checkbox"/>
DRAWN : U.Dreischarf	FINISH:
MATERIAL:	
DATE : 11-10-'96	
PROU.	
THIS DRAWING SHALL NOT BE REPRODUCED WITHOUT THE WRITTEN PERMISSION OF REVERE TRANSDUCERS EUROPE.	
DRAWING : Stay Rod Assembly	499069
SAM 5123 5t	SHEET: 1 OF 1
Rev	SIZE A2