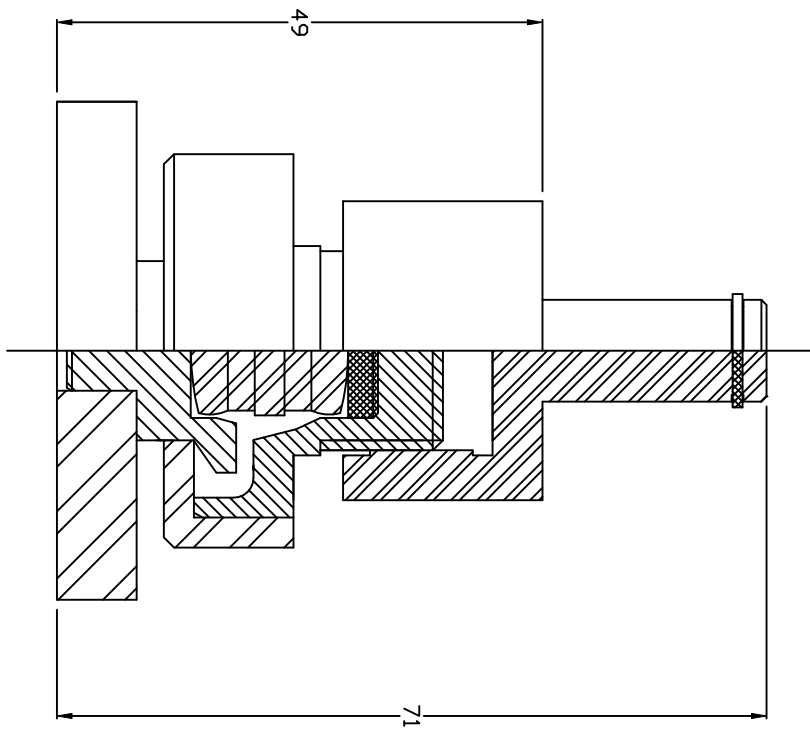
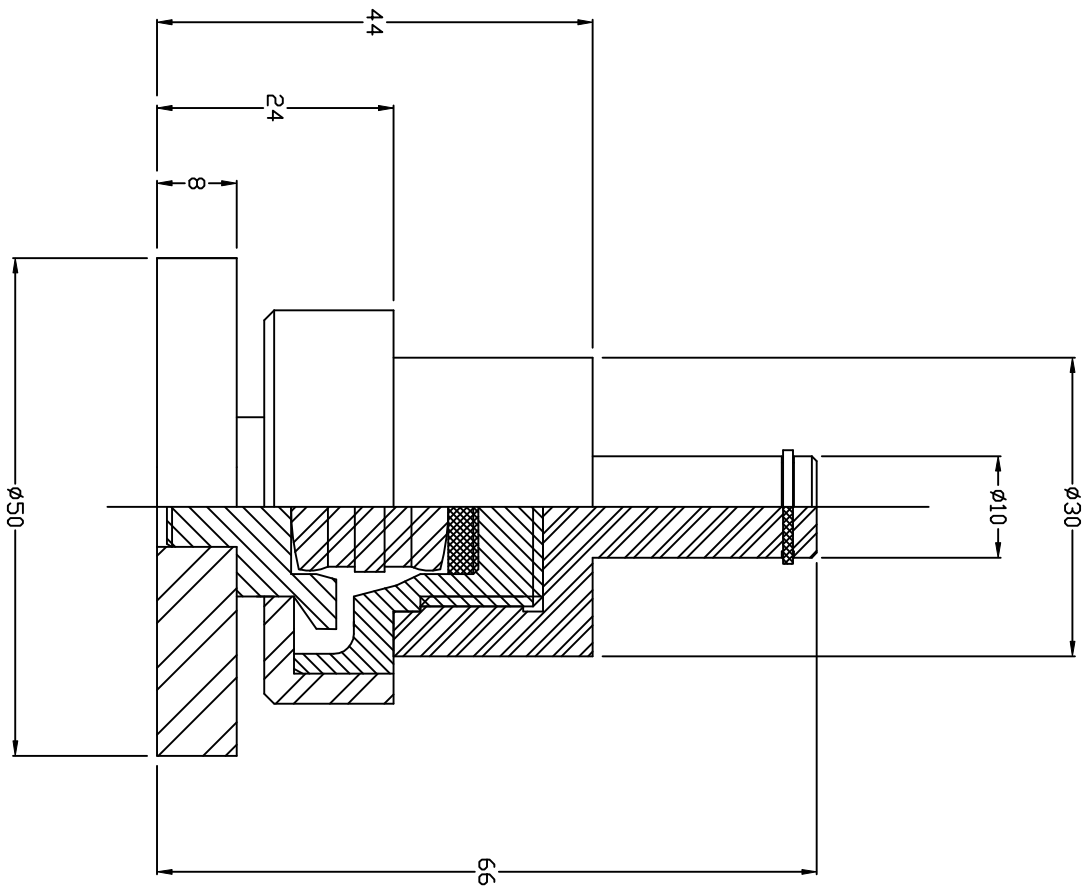


REVERE TRANSDUCERS EUROPE				THIS DRAWING SHALL NOT BE REPRODUCED WITHOUT PERMISSION OF REVERE TRANSDUCERS EUROPE	
GEN. TOL ±	ANGLE ±	MATERIAL:	Stainless Steel	PROJ.	DATE : 11-10-'96
SCALE 2:1	ROUGHN. <input checked="" type="checkbox"/>	FINISH:			
DRAWN : U. Dreischarf					
DRAWING : ADJUSTABLE FOOT					
PARTNUMBER 499070-00		9102 50 / 200 Lbs		SHEET: 1 OF 1	Rev. A3
SIZE A3					



REVERE TRANSDUCERS EUROPE

GEN. TOL. ± ANGLE ± MATERIAL:

SCALE 2:1 ROUGHN. ✓ FINISH:

DRAWN : U. Dreischarf

DRAWING : ADJUSTABLE FOOT

9102 0.5 / 1 Klbs

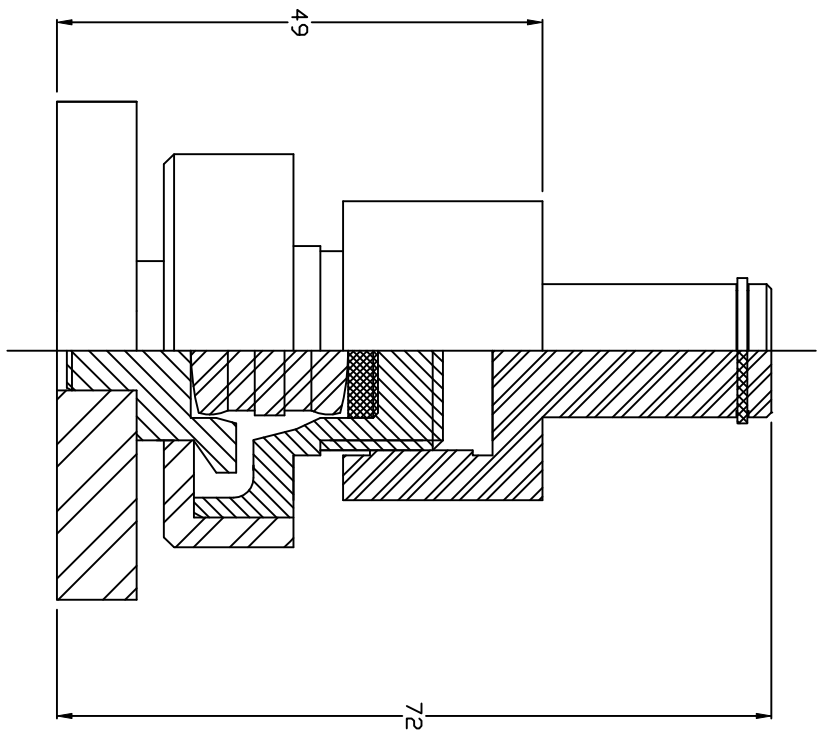
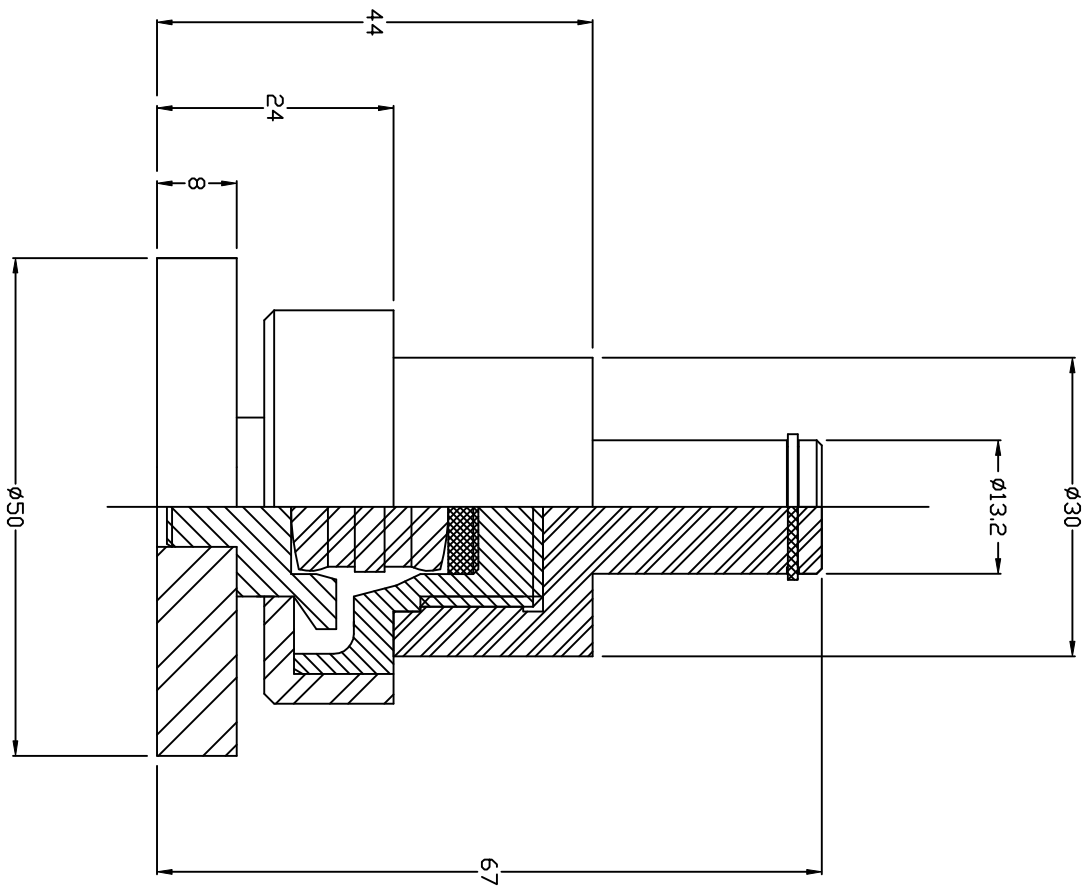
THIS DRAWING SHALL NOT BE REPRODUCED WITHOUT PERMISSION OF REVERE TRANSDUCERS EUROPE

PROJ.

DATE : 03-10-'96

499072

SHEET: 1 OF 1 Rev. A3



REVERE TRANSDUCERS EUROPE

GEN. TOL. ± ANGLE ± MATERIAL:

SCALE 2:1 ROUGHN. FINISH:

DRAWN : U. Dreischarf

DRAWING : ADJUSTABLE FOOT

9102 2.5 Klbs

THIS DRAWING SHALL NOT BE REPRODUCED WITHOUT PERMISSION OF REVERE TRANSDUCERS EUROPE

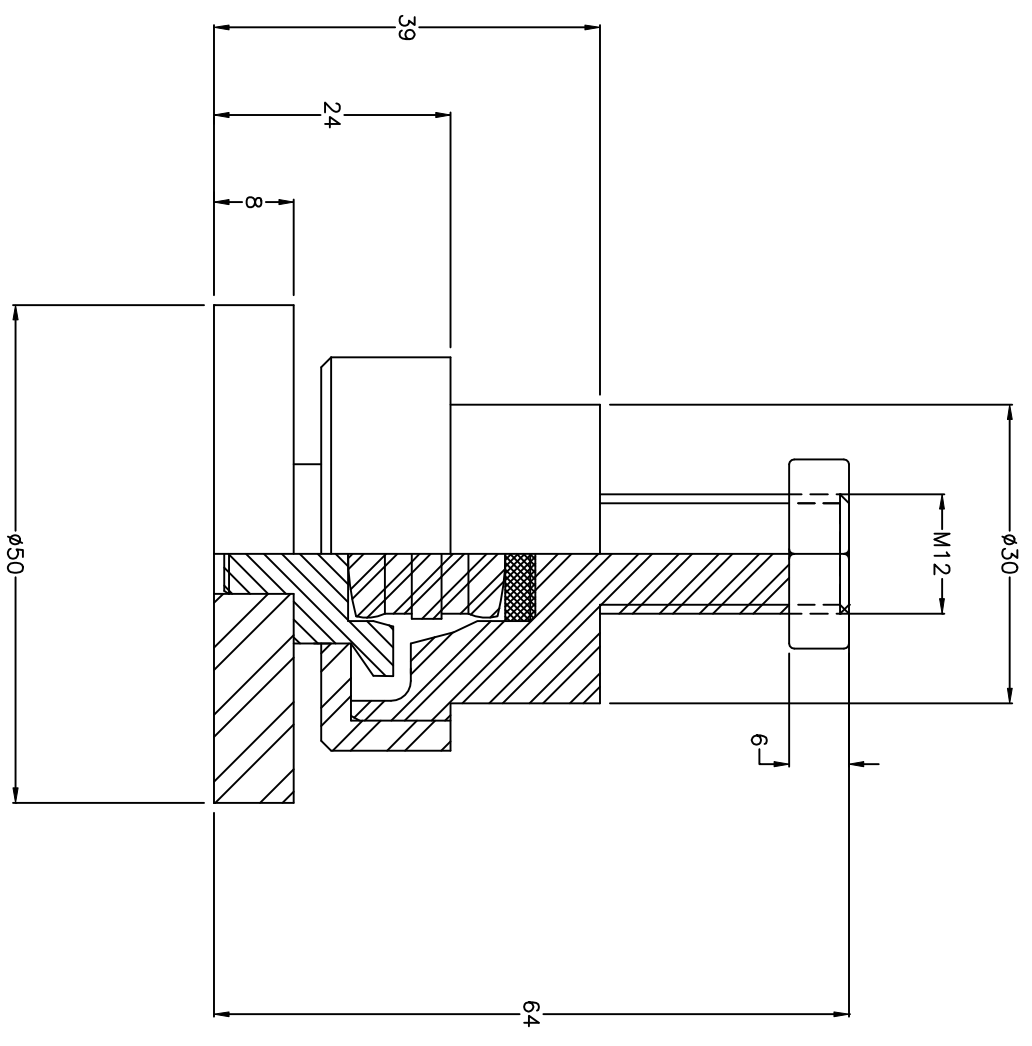
PROJ.

DATE : 11-10-'96

499073

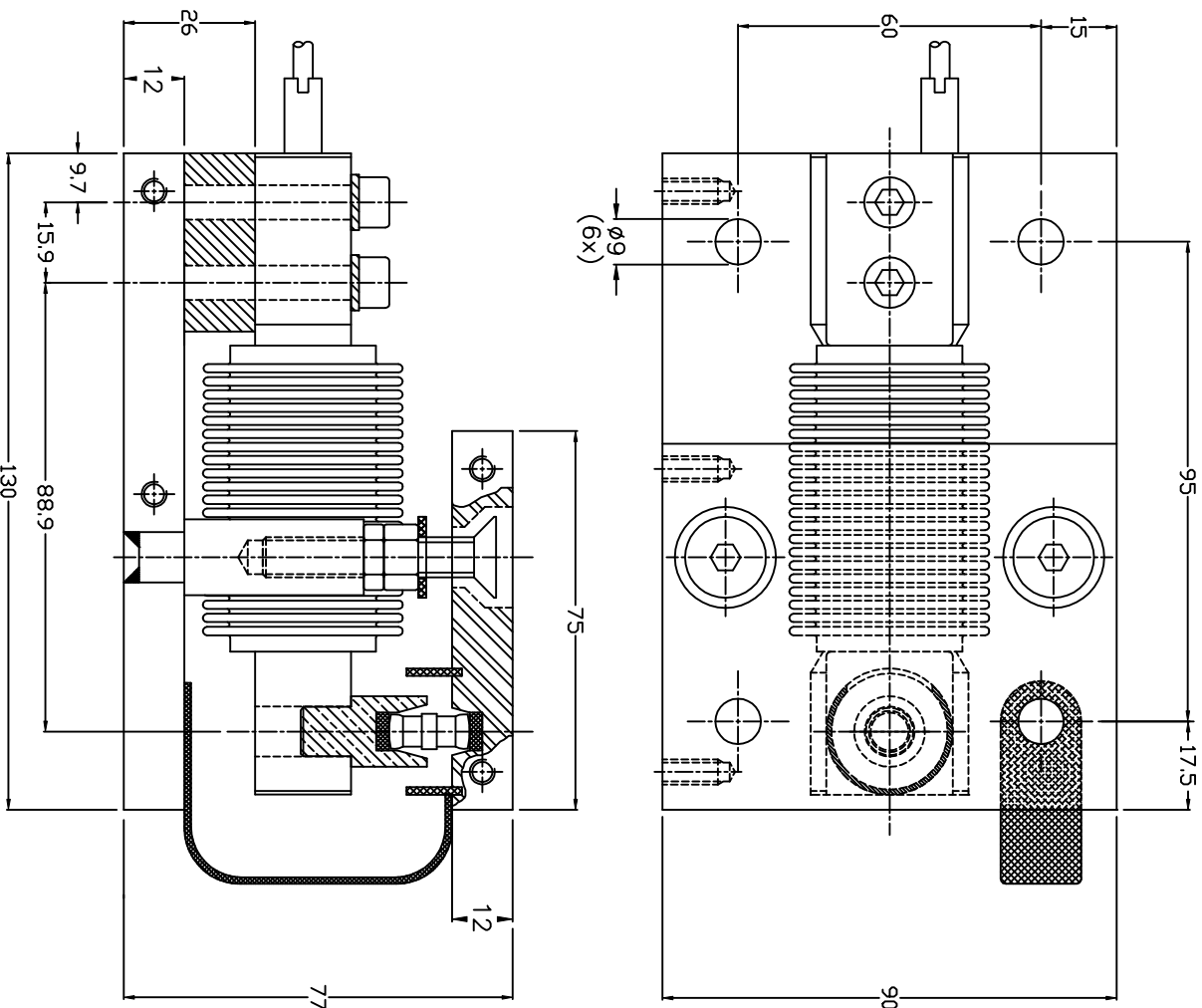
SHEET: 1 OF 1 Rev. A3

Date	Let	Revision	By	Chk	Approvals
02-09-'96	-	New Drawing			



REVERE TRANSDUCERS EUROPE

GEN. TOL ±	ANGLE ±	MATERIAL:	THIS DRAWING SHALL NOT BE REPRODUCED WITHOUT PERMISSION OF REVERE TRANSDUCERS EUROPE
SCALE 2:1	ROUGHN. ✓	PROJ.	
DRAWN : U. Dreischarf		FINISH:	DATE : 02-09-'96
DRAWING : NOT ADJUSTABLE FOOT			
9102-2500lbs			
SHEET: 1 OF 1		Rev.	
499074		—	SIZE
			A3

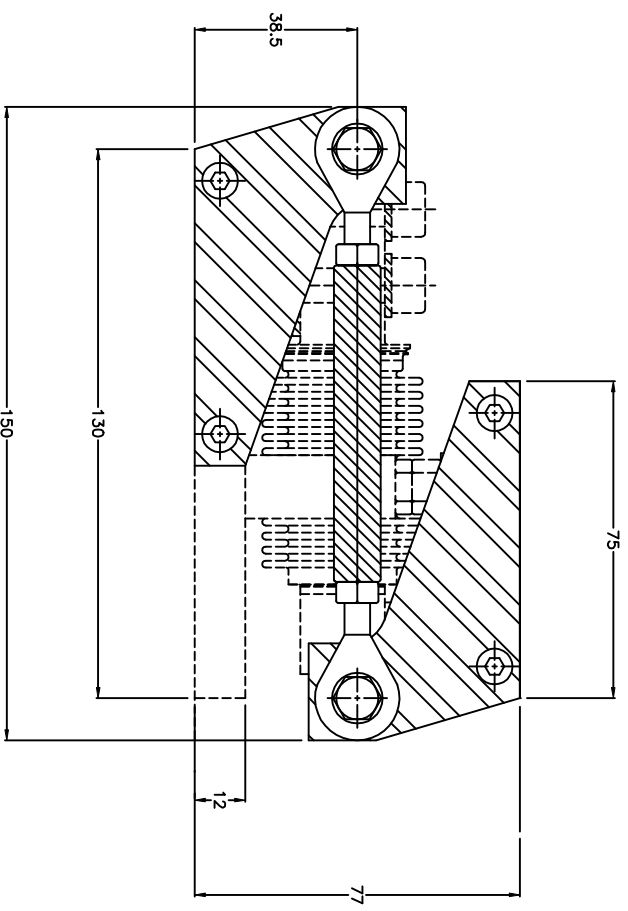
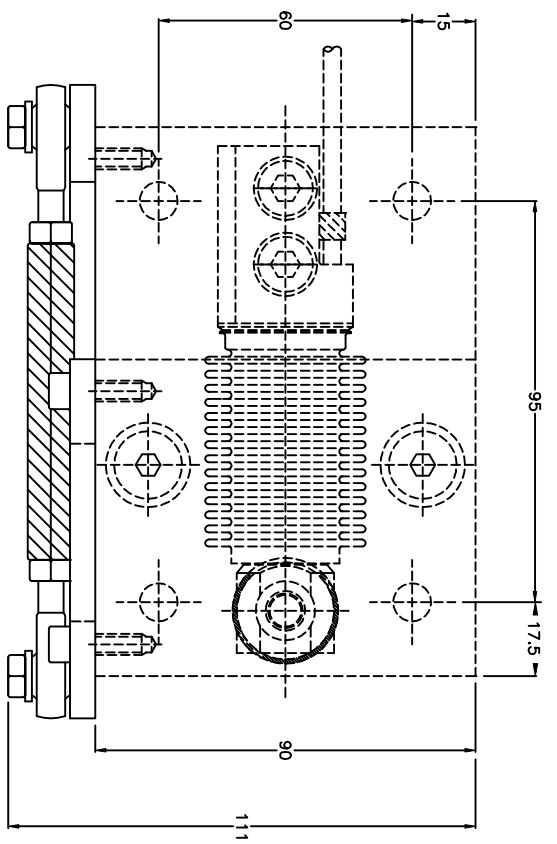


499049-10	Stainless Steel Assembly
499049-00	Steel Nickel Plated
PARTNUMBER	SPECIFICATION

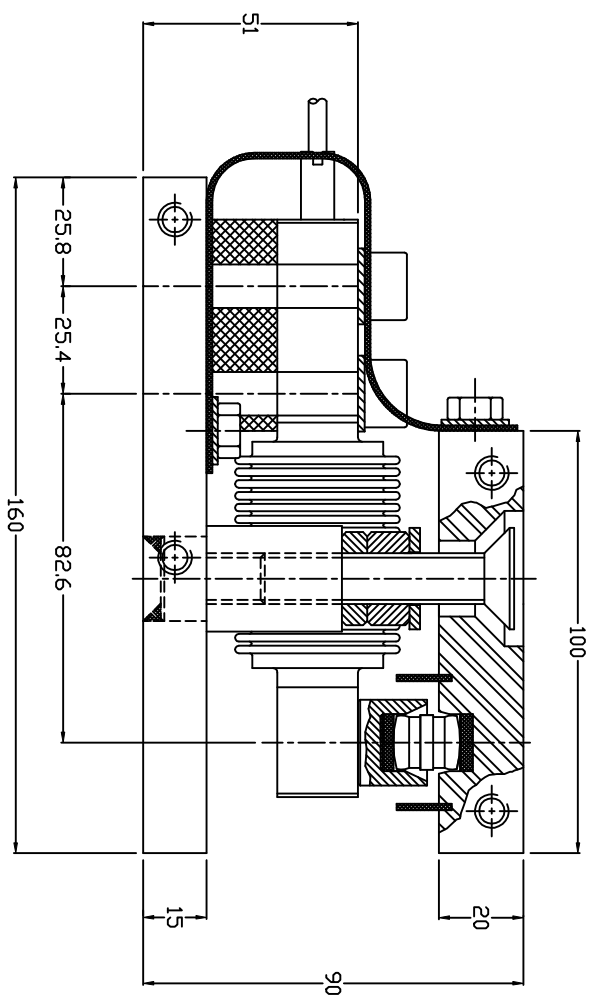
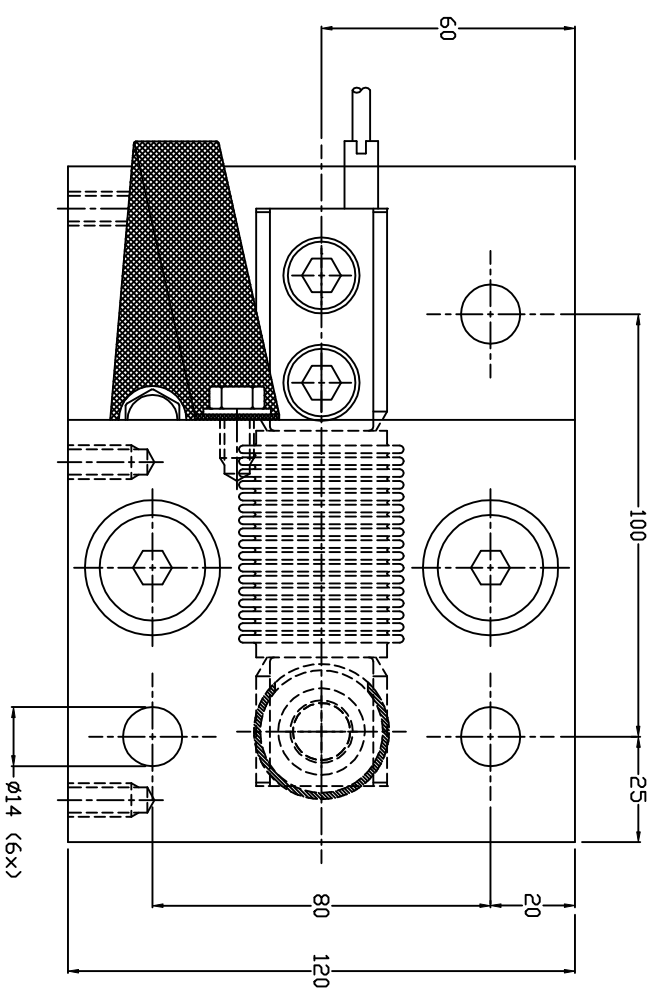
REVERSE TRANSDUCERS EUROPE

GEN. TOL. ±	ANGLE ±	MATERIAL:	THIS DRAWING SHALL NOT BE REPRODUCED WITHOUT THE WRITTEN PERMISSION OF TRANSDUCERS EUROPE.
SCALE : None	ROUGHN. <input checked="" type="checkbox"/>	FINISH:	
DRAWN : U.Dreischopf		DATE : 03-10-'96	PROJ.
DRAWING : Self Aligning Mount		499049	SIZE
5102/9102 50-200lbs		SHEET: 1 OF 1	Rev A2

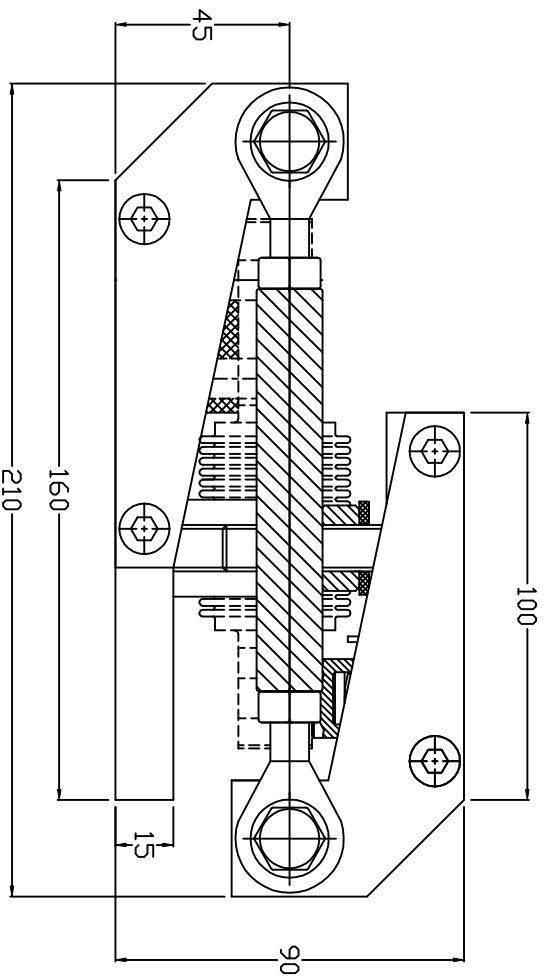
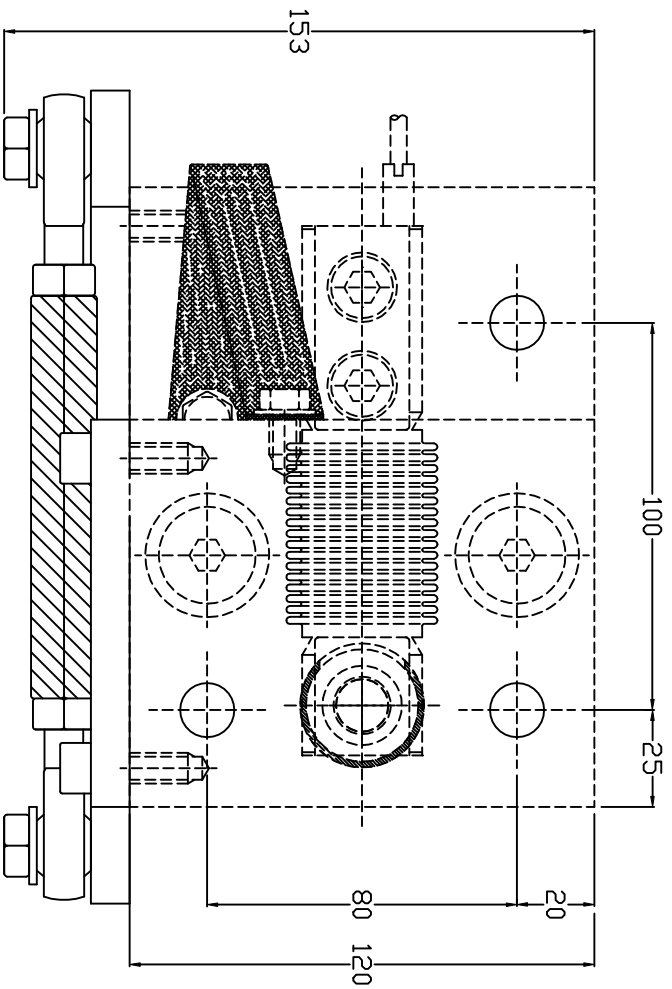
DATE	LET	REVISION	BY	CHK	APPROVALS
02-10-'97	-	New Drawing	U.D. J.K.		



499061-10	Stainless Steel Assembly
499061-00	Steel Assembly
PARTNUMBER	SPECIFICATION
REVERE TRANSDUCERS EUROPE	
GEN. TOL. ±	ANGLE ±
SCALE : None	ROUGHN. <input checked="" type="checkbox"/>
DRAWN : U.Dreischarf	FINISH:
MATERIAL:	
DATE : 10-07-'96	
PROU.	
THIS DRAWING SHALL NOT BE REPRODUCED WITHOUT THE WRITTEN PERMISSION OF REVERE TRANSDUCERS EUROPE.	
DRAWING : Stay Rod Assembly	499061
SAM SHBxR, 9102 50/200lbs	SHEET: 1 OF 1
Rev	SIZE A2



499053-10	Stainless Steel Assembly	2500lbs
499053-00	Steel Assembly	2500lbs
499052-10	Stainless Steel Assembly	500 / 1000lbs
499052-00	Steel Assembly	500 / 1000lbs
PARTNUMBER	SPECIFICATION	CAPACITY
REVERE TRANSDUCERS EUROPE		
GEN. TOL. ± ANGLE ± MATERIAL:		
DRAWN: U. Dreischopf FINISH: ✓		
SCALE: 1:1 ROUGHN: ✓		
DATE: 07-10-'96		
PROJ. 41		
THIS DRAWING SHALL NOT BE REPRODUCED WITHOUT THE WRITTEN PERMISSION OF REVERE TRANSDUCERS EUROPE.		
DRAWING: Self Aligning Mount		Rev
9102 500 - 2500lbs		A2
SHEET: 1 OF 1		SIZE



499068-10	Stainless Steel Assembly
499068-00	Steel Assembly
PARTNUMBER	SPECIFICATION
REVERE TRANSDUCERS EUROPE	
GEN. TOL. ±	ANGLE ±
SCALE : None	ROUGHN. <input checked="" type="checkbox"/>
DRAWN : U.Dreischorf	FINISH:
MATERIAL:	
DATE : 07-10-'96	
PROU.	DATE
THIS DRAWING SHALL NOT BE REPRODUCED WITHOUT THE WRITTEN PERMISSION OF REVERE TRANSDUCERS EUROPE.	
DRAWING : Stay Rod Assembly	499068
SAM 9102 500/2500lbs	SHEET: 1 OF 1
Rev	SIZE A2