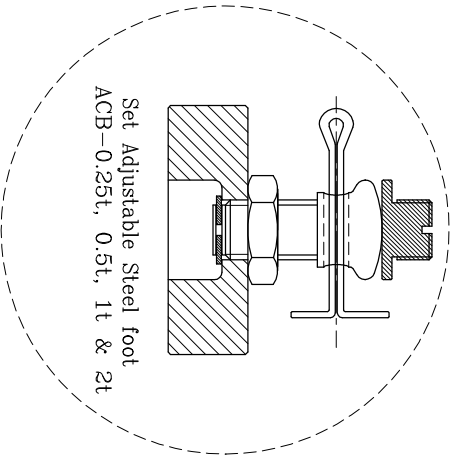
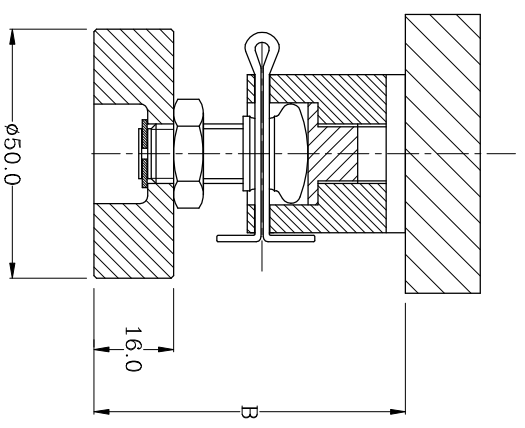
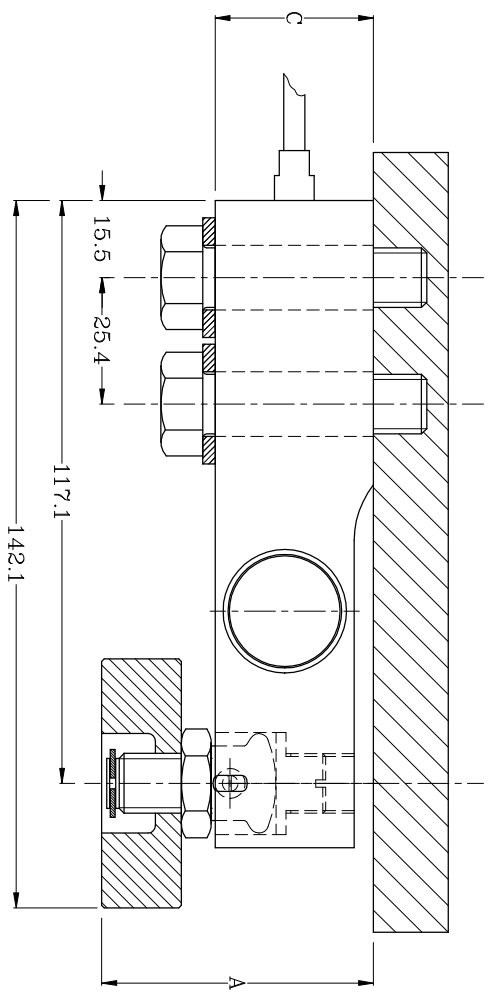


Date	Let	Revision	By	Chk	Approvals
14-10-'03	-	New Drawing	U.D. J.F.		



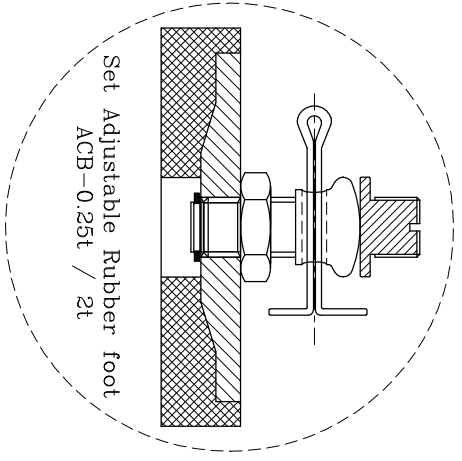
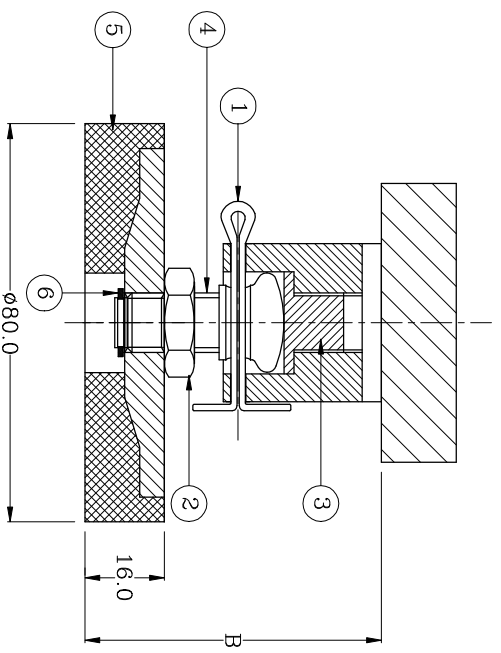
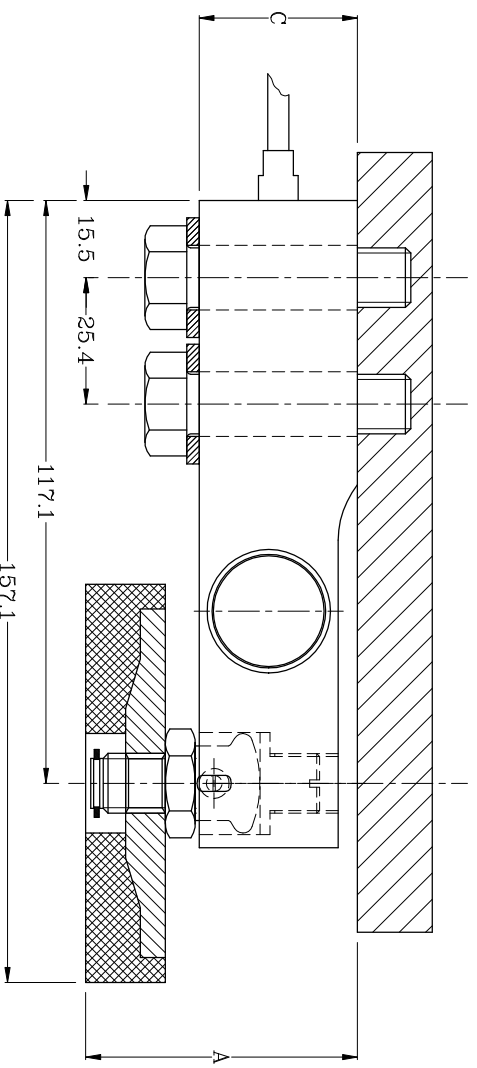
Set Adjustable Steel foot
ACB-0.25t, 0.5t, 1t & 2t

Dimensions	A	B	C
ACB-0.25t, 0.5t & 1t	55	63	31.8
ACB-2t	59	67	35.8

899134-00	Adjustable Steel foot ACB-0.25t, 0.5t, 1t & 2t	
Partnumber		
Description		
REVERE TRANSDUCERS EUROPE		
GEN. TOL.	ANGLE ±	MATERIAL:
SCALE None	ROUGHN. ✓	
DRAWN : U.Dreischarf		FINISH:
DRAWING : Adjustable Steel Foot		
ACB 0.25t - 2t		
SHEET: 1 OF 1		Rev
499134C	-	SIZE
A3		

THIS DRAWING SHALL NOT
BE REPRODUCED WITHOUT
PERMISSION OF REVERE
TRANSDUCERS EUROPE

PROJ. DATE : 22-05-'03



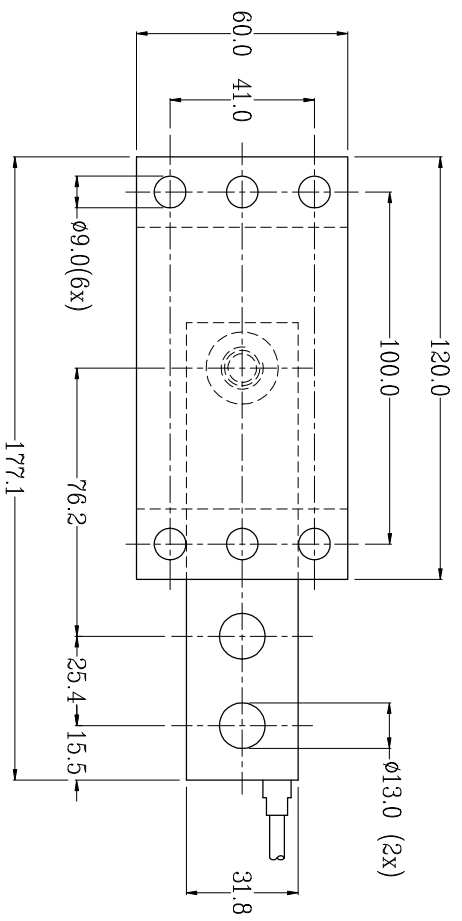
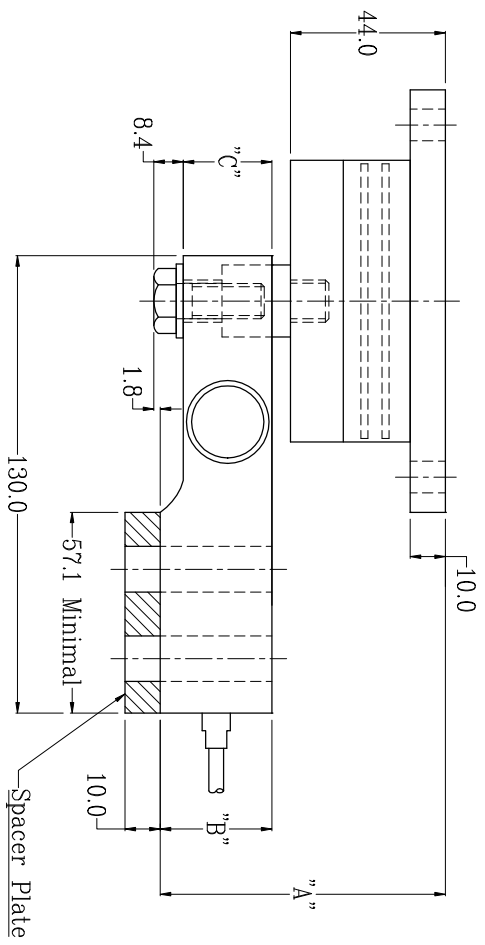
Set Adjustable Rubber foot
ACB-0.25t / 2t

Dimensions	A	B	C
ACB-0.25t / 1t	55	60	31.8
ACB-2t	59	64	35.8

899133-00	Adjustable Rubber Foot ACB-0.25t, 0.5t, 1t & 2t	
Partnumber	Description	
REVERE TRANSDUCERS EUROPE		
GEN. TOL. ± 0.2	ANGLE \pm	MATERIAL:
SCALE 1:1	ROUGHN. <input checked="" type="checkbox"/>	
DRAWN : U.Dreischarf		FINISH:
DRAWING : Adjustable Rubber Foot		PROJ. <input checked="" type="checkbox"/>
Assembly for ACB-0.25t / 2t		DATE : 22-05-'03
	499133C	A
SHEET: 1 OF 1	Rev	SIZE A3

THIS DRAWING SHALL NOT
BE REPRODUCED WITHOUT
PERMISSION OF REVERE
TRANSDUCERS EUROPE

Date	Lat	Revision	By	Chk	Approvals
29-10-03	-	New Drawing	U.D. J.F.		



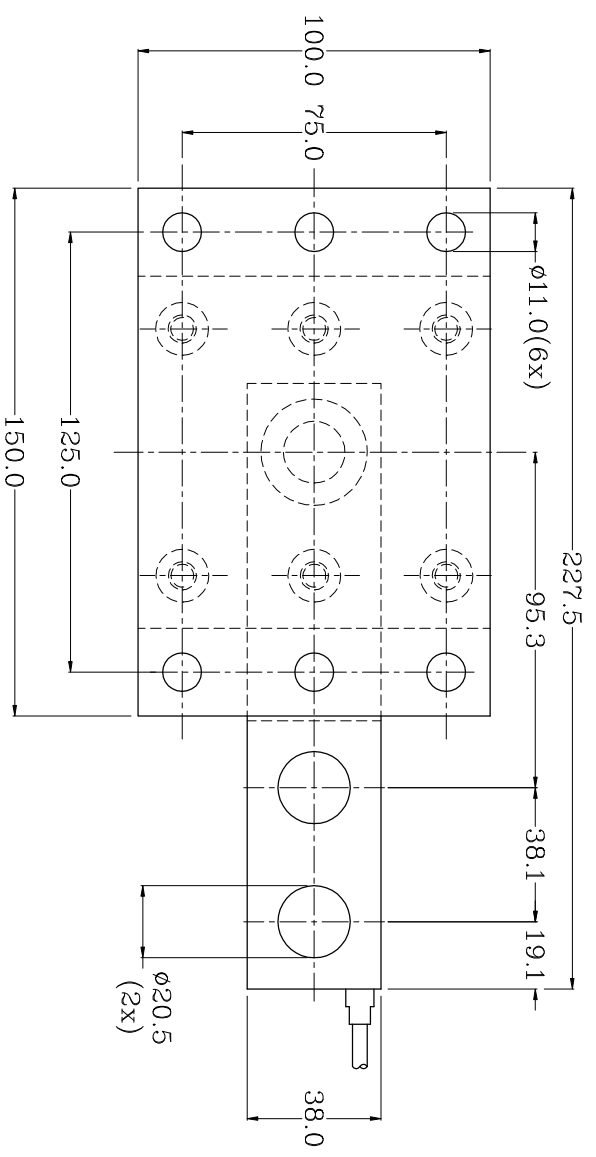
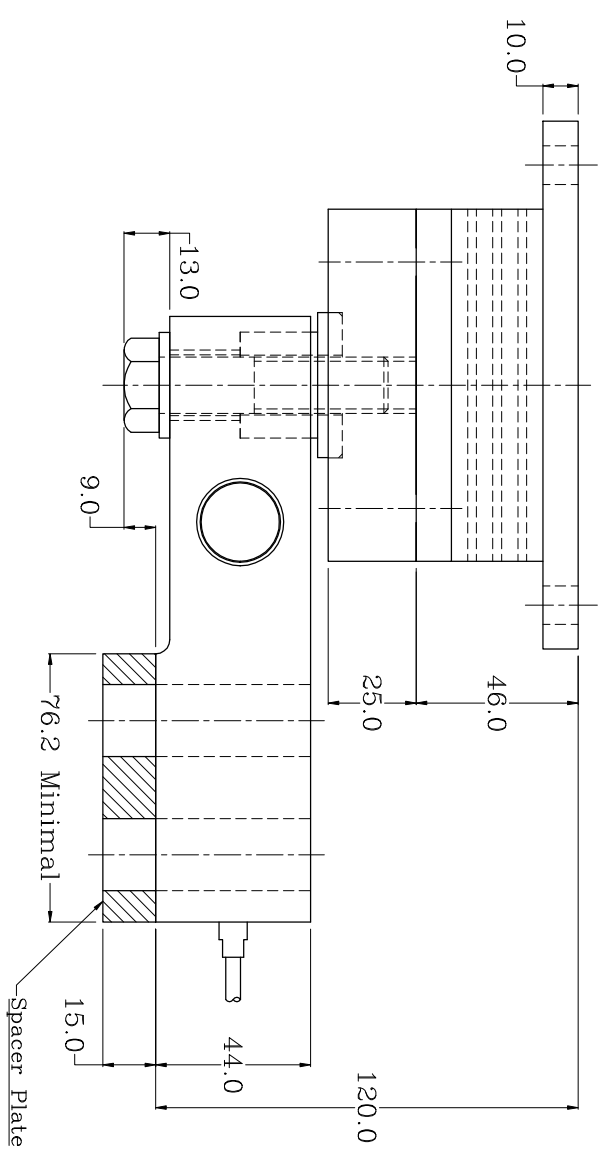
Capacity	"A"	"B"	"C"
ACB-2t	85	35.8	31.95
ACB-1t	81	31.8	27.95
ACB-0.5t	81	31.8	26.0
ACB-0.25t	81	31.8	25.2

Note :
Level the load cell horizontally, avoiding friction between the parts.

499140-00		Elastomer ACB 0.25t-2t	
Partnumber Specification			
REVERE TRANSDUCERS EUROPE			
GEN.TOL ±	ANGLE ±	MATERIAL:	
SCALE 1:1	ROUGHN ✓	FINISH:	
DRAWN : U.Drehscharf		DATE : 28-10-03	
DRAWING : Elastomer ACB 0.25t-2ton		499140C	SIZE
SHEET: 1 OF 1		Rev	A2

THIS DRAWING SHALL NOT BE REPRODUCED WITHOUT THE WRITTEN PERMISSION OF REVERE TRANSDUCERS EUROPE

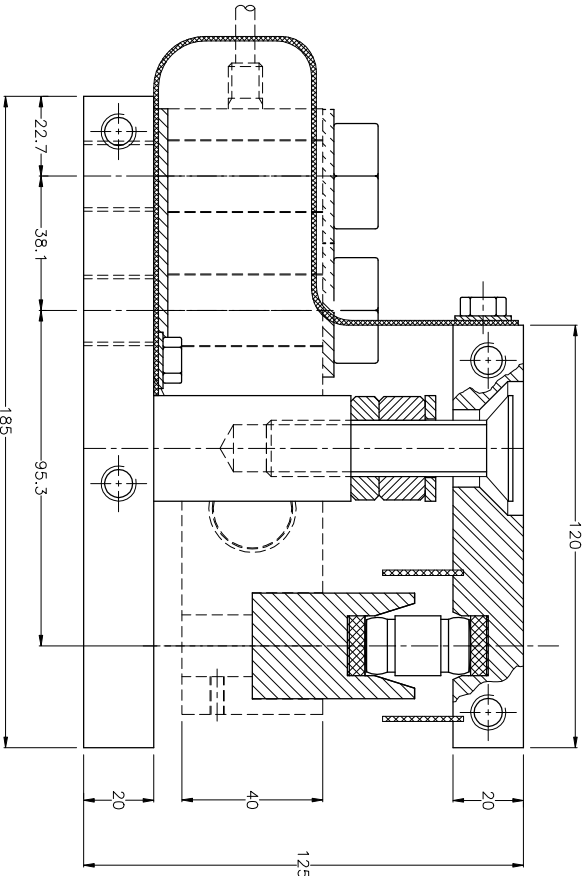
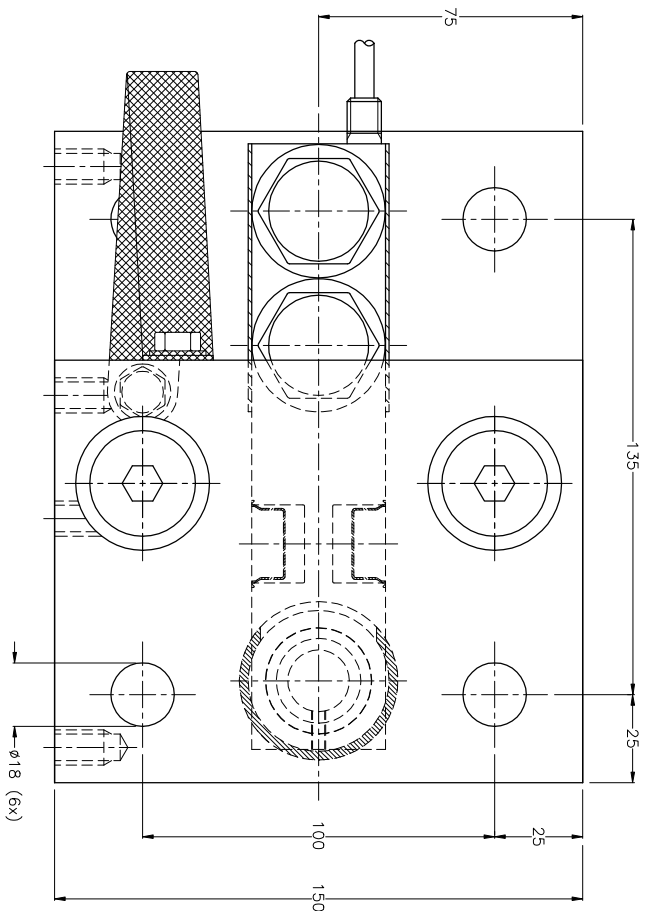
Date	Let	Revision	By	Chk	Approvals
28-10-03	-	New Drawing	U.D. J.F.		



Note :
Level the load cell horizontally, avoiding friction between the parts.

499141-00	Elastomer ACB-5t
Partnumber	Specification
REVERE TRANSDUCERS EUROPE	
GEN.TOL ±	ANGLE ±
SCALE 1:1	ROUGHN ✓
DRAWN : U.Dreischarf	FINISH:
DRAWING : Elastomer ACB-5ton	
PROJ.	DATE : 27-10-03
499141C	499141C
SHEET: 1 OF 1	Rev A2

THIS DRAWING SHALL NOT BE REPRODUCED WITHOUT THE WRITTEN PERMISSION OF REVERE TRANSDUCERS EUROPE



499090-10	Stainless Steel Assembly
499090-00	Steel Assembly
Partnumber	Specification

REVERE TRANSDUCERS EUROPE

GEN. TOL. ±	ANGLE ±	MATERIAL:	THIS DRAWING SHALL NOT BE REPRODUCED WITHOUT THE PERMISSION OF REVERE TRANSDUCERS EUROPE
SCALE	ROUGHN ✓	FINISH:	

DRAWN : U.Dreischarf	DATE : 27-06-'03	PROJ.	DATE : 27-06-'03
----------------------	------------------	-------	------------------

DRAWING : Tankmount HCB/ACB-5 ton	499090C	—	SIZE
SHEET: 1 OF 1	Rev	1	A2