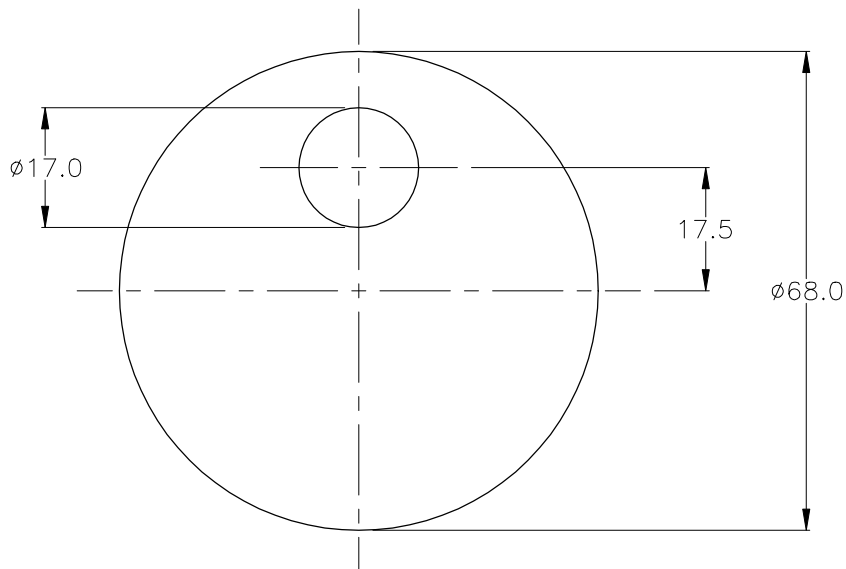
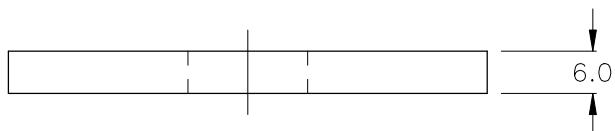


Date	Let	Revision	By	Chk	Approvals
07-10-'03	-	New Drawing	U.D.		



Partnumber	499125-00
------------	-----------

# REVERE TRANSDUCERS EUROPE

THIS DRAWING SHALL NOT BE REPRODUCED WITHOUT PERMISSION OF REVERE TRANSDUCERS EUROPE

GEN.TOL ±0.5	ANGLE ±
SCALE 1:1	ROUGHN. ✓

MATERIAL:

PROJ.

DRAWN : U.Dreischarf

FINISH: Yellow passivating coat

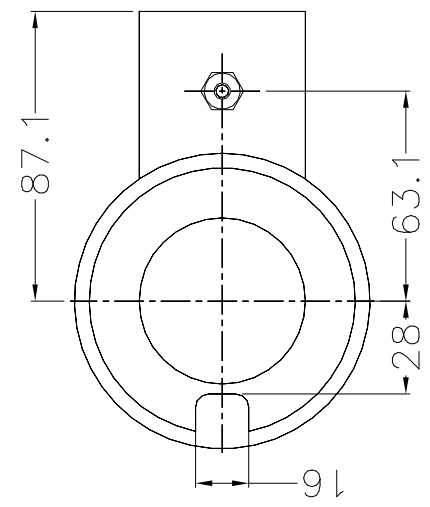
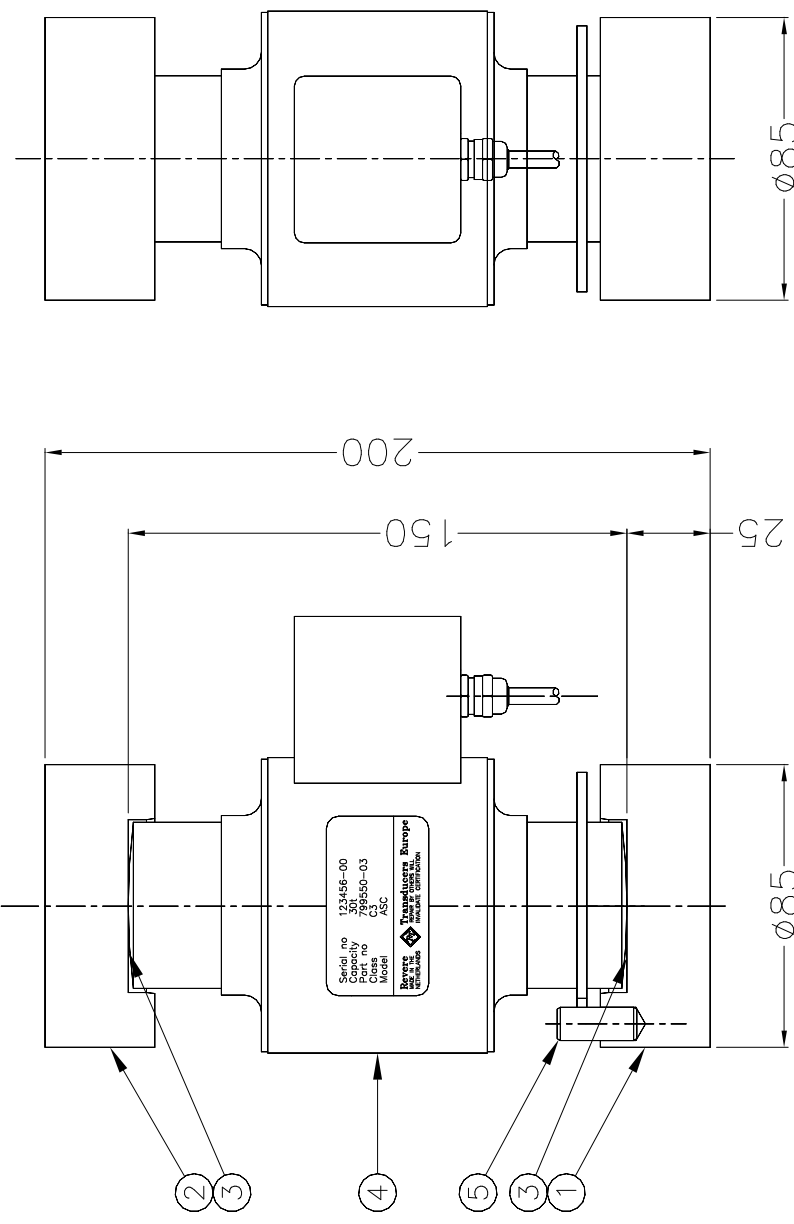
DATE : 14-01-'03

DRAWING :  
Eccentric Washer ASC DSC-30t

499125C  
SHEET: 1 OF 1

—	SIZE
Rev	A4

Date	Let	Revision	By	Chk	Approvals
06-03-'03	-	new drawing	H-St.	-	



5	Safety pin	ISO 8734-A $\phi 10m6xL=24$ - St.hardened	1
4	load cell	ASC 30 t / DSC 30 t	1
3	grease		1
2	Upper Mount	X40Cr13 (Wstrn.1.2083)	1
1	Lower Mount	X40Cr13 (Wstrn.1.2083)	1
nr.	Item	Remarks	QTY

**REVERE TRANSDUCERS EUROPE**

GEN.TOL  $\pm 0.50$  ANGLE  $\pm 0.9^\circ$  MATERIAL:  ROUGHN  FINISH:

SCALE 1:1 DRAWN : H. Stoutjesdijk

THIS DRAWING SHALL NOT BE REPRODUCED WITHOUT THE WRITTEN PERMISSION OF REVERE TRANSDUCERS EUROPE

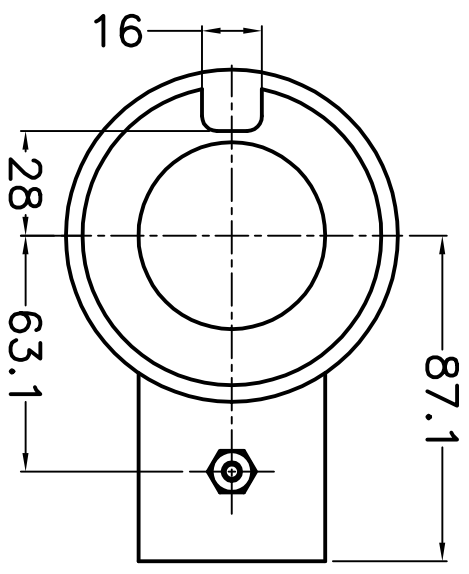
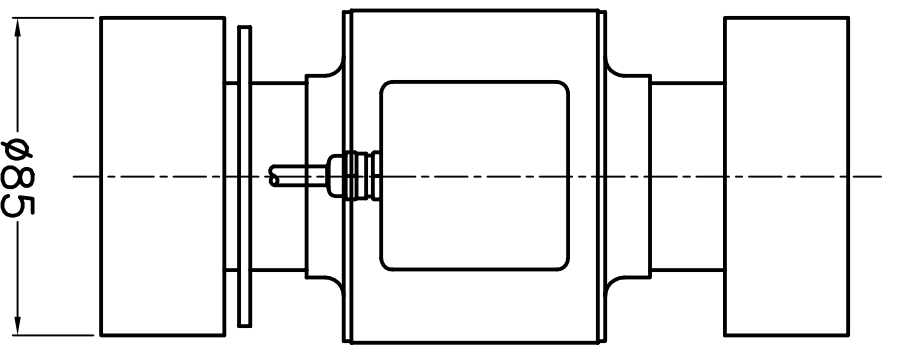
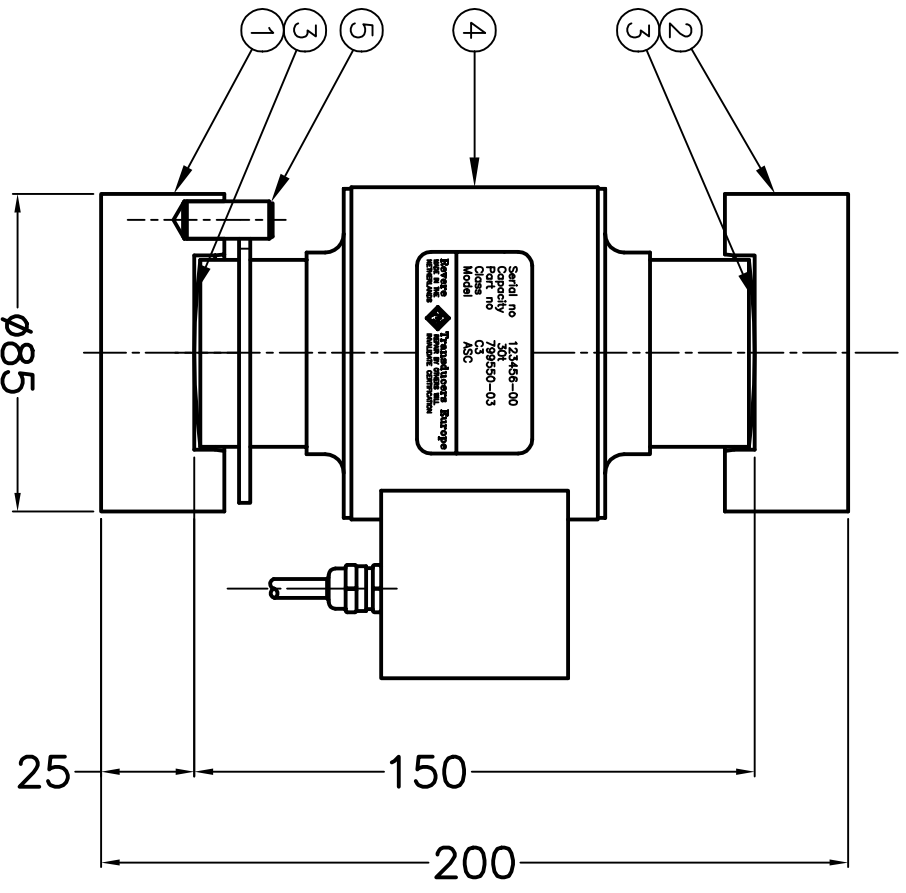
PROJ.

DATE : 06-03-'03

DRAWING : 799863 A SIZE A

Self Aligning Set ASC-DSC-30t SHEET: 1 OF 1 Rev A

799863-00  
Partnumber Set



Date	Let	Revision	By	CHK	Approvals
06-03-'03	-	new drawing	HSL	-	

5	Safety pin	ISO 8734-A $\phi$ 10m6xL = 24 - St.hardened	1
4	load cell	ASC 30 t / DSC 30 t	1
3	grease		1
2	Upper Mount	X40C-r13 (Wstnr.1.2083)	1
1	Lower Mount	X40C-r13 (Wstnr.1.2083)	1
nr.	Item	Remarks	QTY

**REVERE TRANSDUCERS EUROPE**

GEN.TOL.  $\pm$  0.30 ANGLE  $\pm$  0.9° MATERIAL:

SCALE 1:1 ROUGHN.  FINISH:

DRAWN : H. Stoutjesdijk

DRAWING :

**Self Aligning Set ASC-DSC-30t**

THIS DRAWING SHALL NOT BE REPRODUCED WITHOUT PERMISSION OF REVERE TRANSDUCERS EUROPE

PROJ. DATE : 06-03-'03

**799863**

**A** SIZE **A-**

799863-00  
Partnumber Set

SHEET: 1 OF 1

Rev