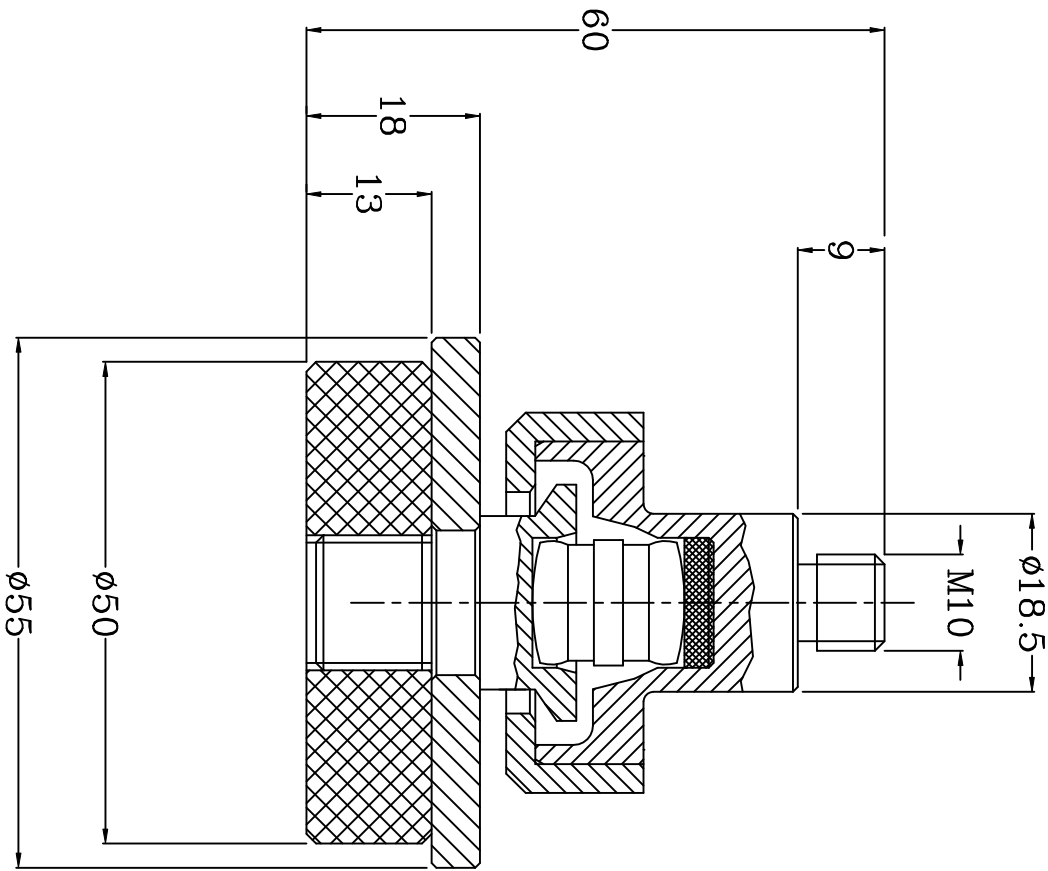
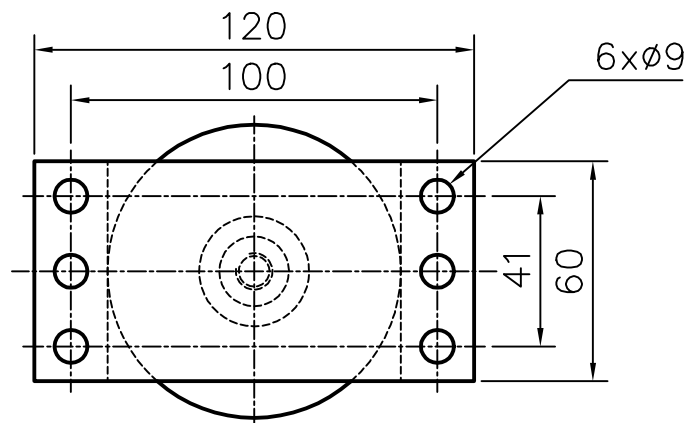
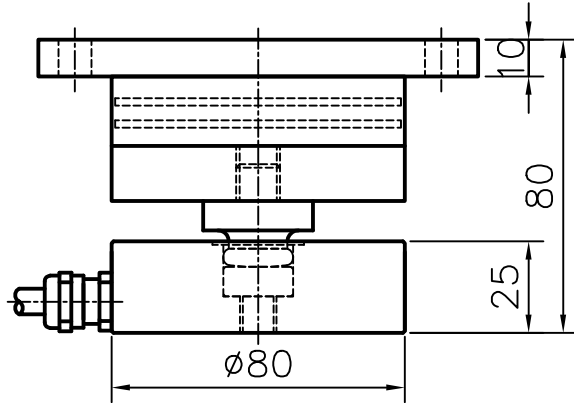


REVERE TRANSDUCERS EUROPE				THIS DRAWING SHALL NOT BE REPRODUCED WITHOUT PERMISSION OF REVERE TRANSDUCERS EUROPE	
GEN.TOL ±	ANGLE ±	MATERIAL:	PROJ.	DATE : 14-10-'94	Rev.
SCALE 2:1	ROUGHN. ✓	FINISH:	⊕	14-10-'94	1
DRAWN : R. Spqpens			SHEET: 1 OF 1		
DRAWING : Platform Foot RLC			899041		
Cap. 0.5T & 1T			-		
			A3		



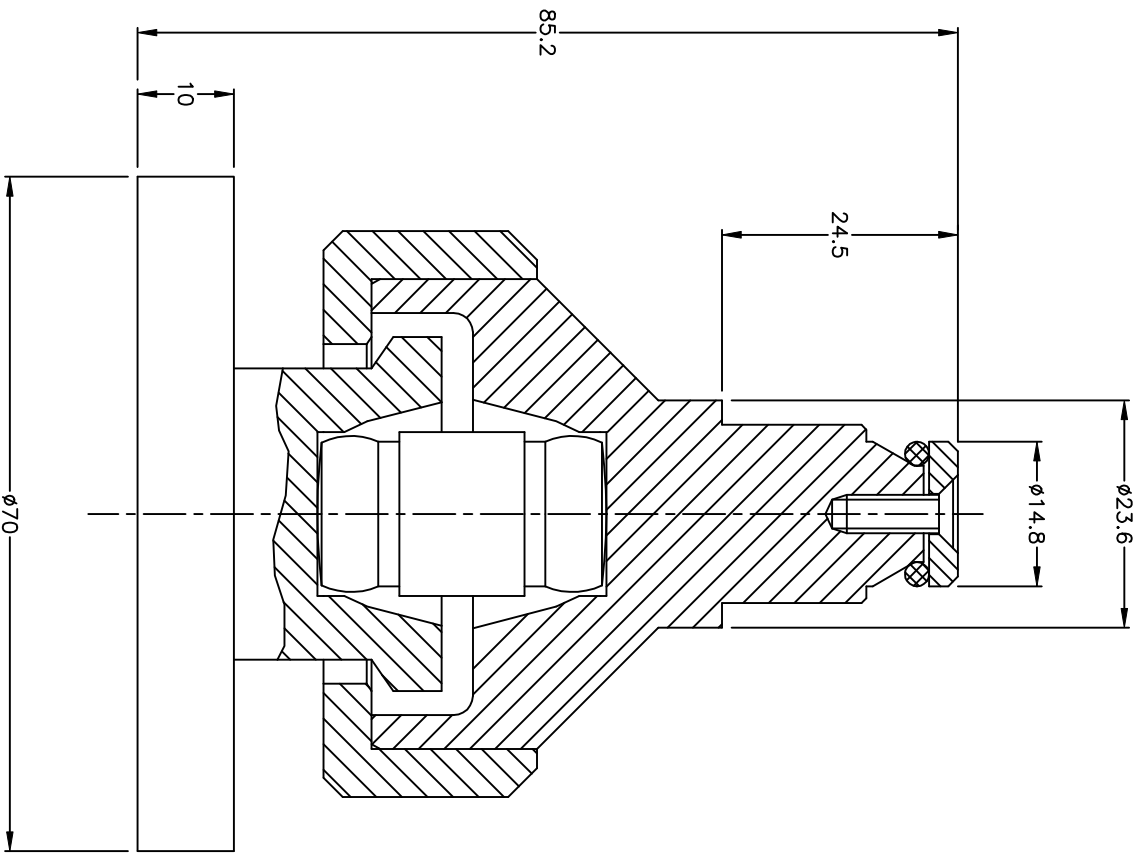
REVERE TRANSDUCERS EUROPE				THIS DRAWING SHALL NOT BE REPRODUCED WITHOUT PERMISSION OF REVERE TRANSDUCERS EUROPE	
GEN.TOL ±	ANGLE ±	MATERIAL:	PROJ.	DATE : 16-12-'96	Rev.
SCALE 2:1	ROUGHN. <input checked="" type="checkbox"/>				
DRAWN : U. Dreischarf			FINISH:		
DRAWING : Adjustable Foot			499083		
RLC Cap. 0.5t & 1t			SHEET: 1 OF 1		
			-		
			SIZE A3		

Date	Let	Revision	By	Chk	Approvals
28-02-'02	-	New Drawing	F.G	.	
24-02-'03	A	RTE ECR-165	HSt.	.	



Level the load cell horizontally, avoiding friction between the parts.

499114-00	Steel zinc plated	
PARTNUMBER	SPECIFICATION	REMARK
REVERE TRANSDUCERS EUROPE		THIS DRAWING SHALL NOT BE REPRODUCED WITHOUT PERMISSION OF REVERE TRANSDUCERS EUROPE
GEN.TOL .	ANGLE ±	MATERIAL:
SCALE .	ROUGHN. ✓	FINISH:
DRAWN : F.Grootenboer		DATE : 15-12-2001
DRAWING : Elastomer Mount load cell RLC 0,25-1 t		499114
SHEET: 1 OF 1		Rev
		SIZE A4



DATE	LET	REVISION	BY	CHK	APPROVALS
11-12-'96	-	New Drawing	J.K.		
06-03-'97	A	RTE-097	J.K.		

REVERE TRANSDUCERS EUROPE

GEN.TOL ±

ANGLE ±

MATERIAL:

THIS DRAWING SHALL NOT
BE REPRODUCED WITHOUT
PERMISSION OF REVERE
TRANSDUCERS EUROPE

SCALE : 2:1

ROUGHN. ✓

FINISH:

PROJ. 

DRAWN : U. Dreischärf

DATE : 05-04-'95

DATE : 05-04-'95

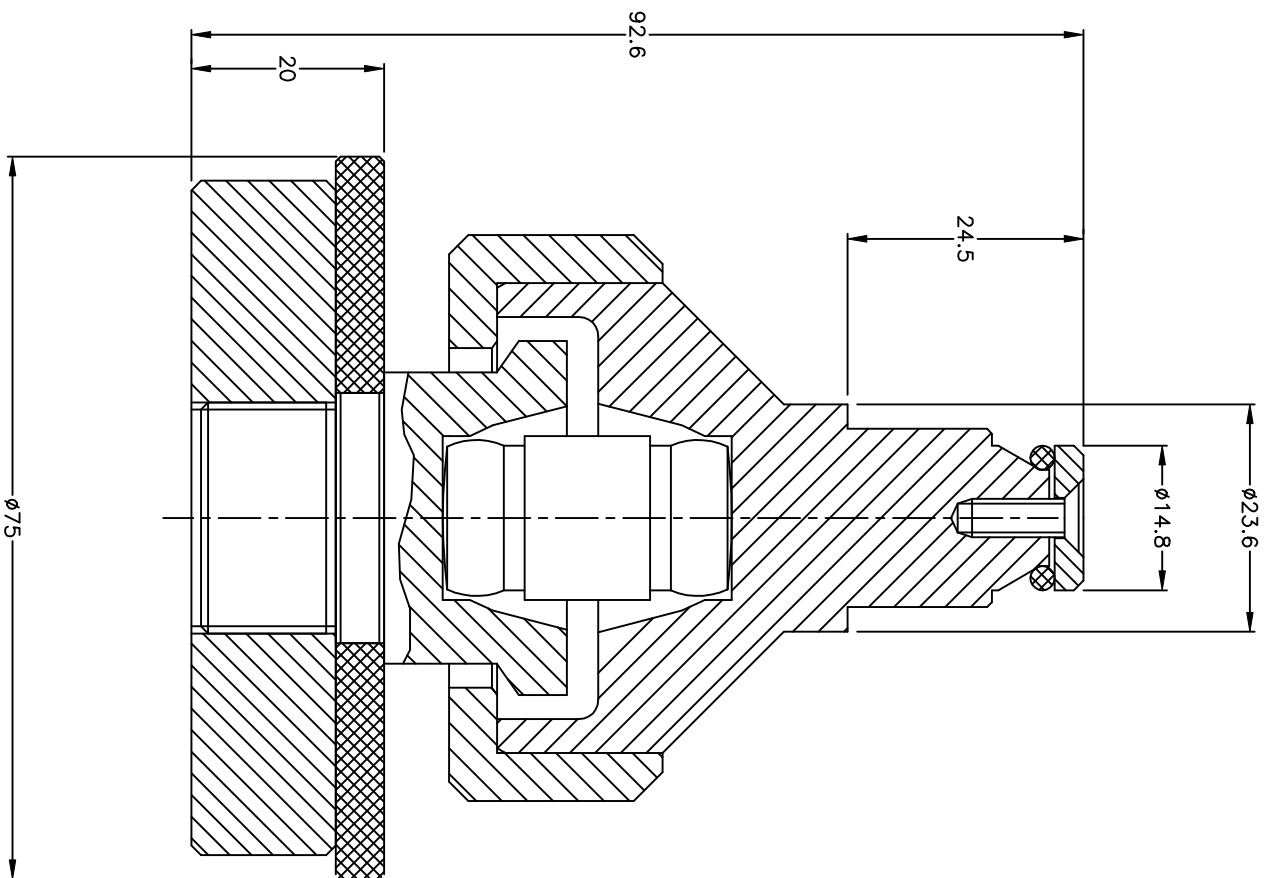
DATE : 05-04-'95

DRAWING : PLATFORM FOOT RLC
Cap. 2t, 3.5t, 5t

899042

A SIZE
SHEET: 1 OF 1 Rev. A3

DATE	LET	REVISION	BY	CHK	APPROVALS
17-12-'96	-	New Drawing	U.D.	J.K.	
10-03-'97	A	See RTE-097	U.D.	J.K.	



REVERE TRANSDUCERS EUROPE

GEN.TOL ±

ANGLE ±

MATERIAL:

THIS DRAWING SHALL NOT BE REPRODUCED WITHOUT PERMISSION OF REVERE TRANSDUCERS EUROPE

SCALE : 2:1

ROUGHN. ✓

DRAWN : U. Dreischärf

FINISH:

PROJ. DATE : 17-12-'96

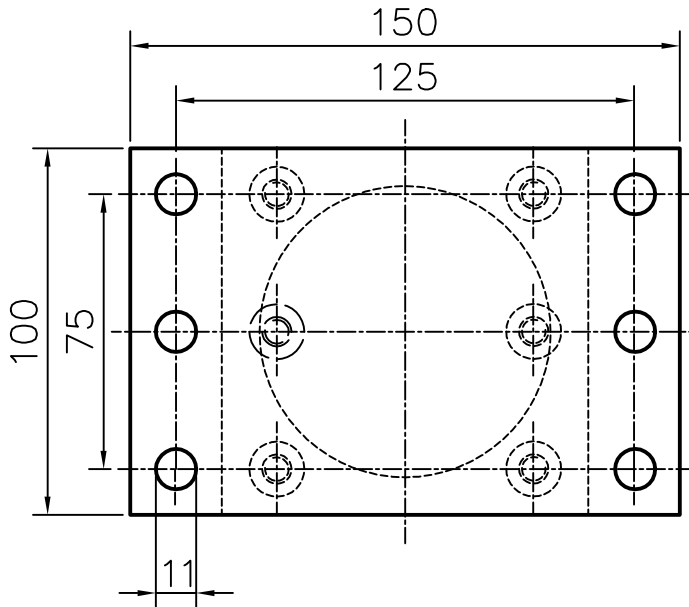
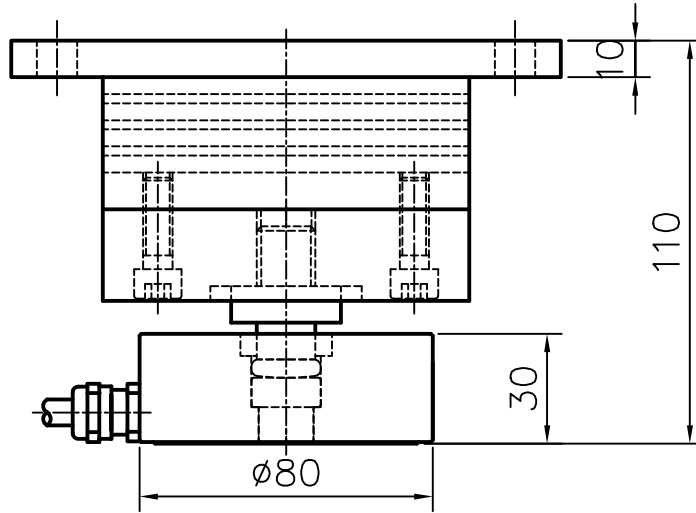
: Adjustable Foot
RLC Cap. 2t, 3.5t, 5t

499084

A SIZE

SHEET: 1 OF 1 Rev. A3

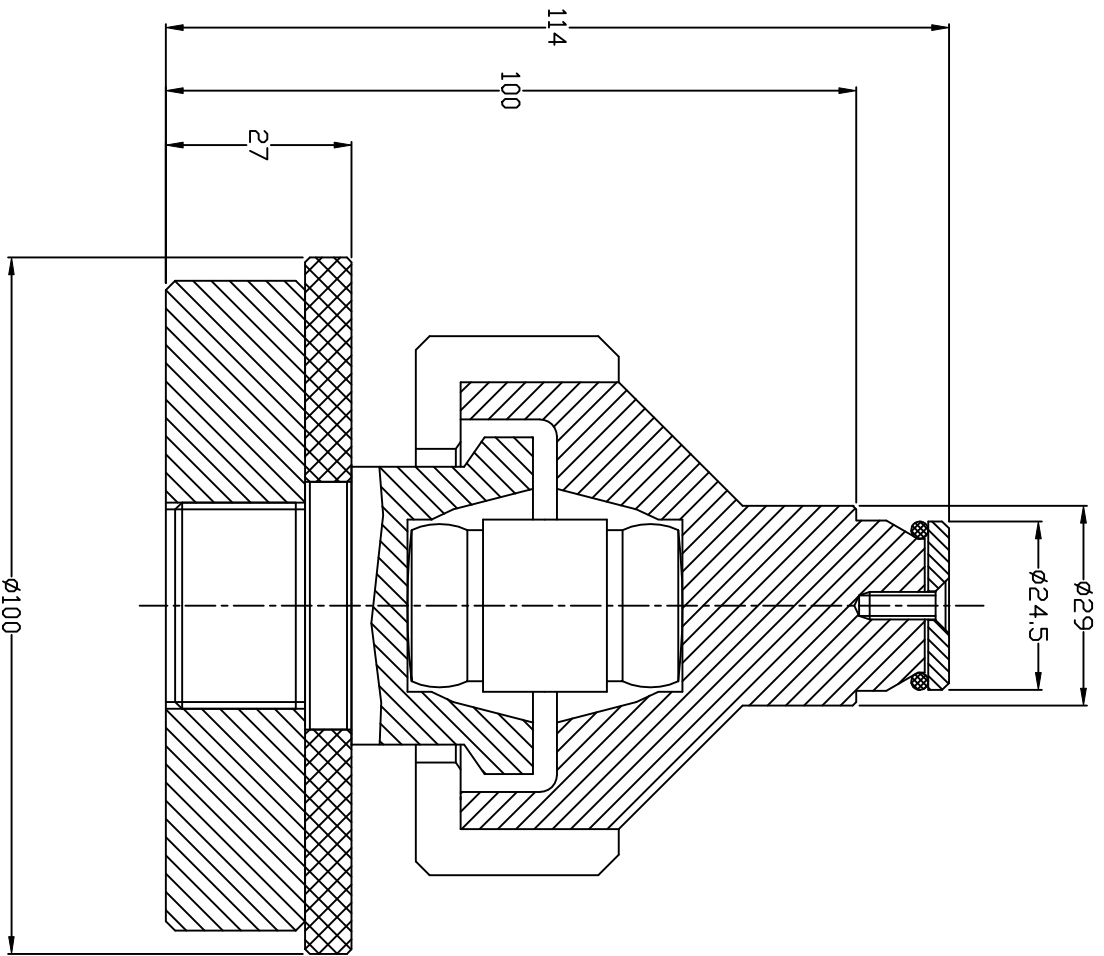
Date	Let	Revision	By	Chk	Approvals
28-02-'02	-	New Drawing	F.G	.	
24-02-'03	A	RTE ECR-165	HSt.	.	



Level the load cell horizontally, avoiding friction between the parts.

499115-00	Steel zinc plated	
PARTNUMBER	SPECIFICATION	REMARK
REVERE TRANSDUCERS EUROPE		THIS DRAWING SHALL NOT BE REPRODUCED WITHOUT PERMISSION OF REVERE TRANSDUCERS EUROPE
GEN.TOL .	ANGLE ±	MATERIAL:
SCALE .	ROUGHN. ✓	
DRAWN : F.Grootenboer		FINISH:
DRAWING :		DATE : 15-12-2001
Elastomer Mount load cell RLC 2-5 t		499115
		SHEET: 1 OF 1
		SIZE
		A4

DATE	LET	REVISION	BY	CHK	APPROVALS
15-09-'98	-	New Drawing	J.S.		

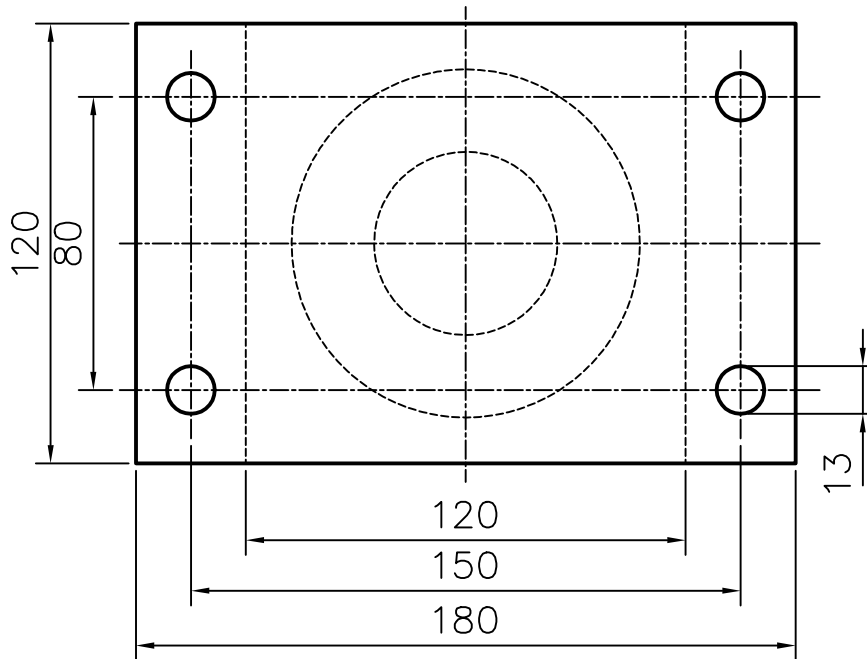
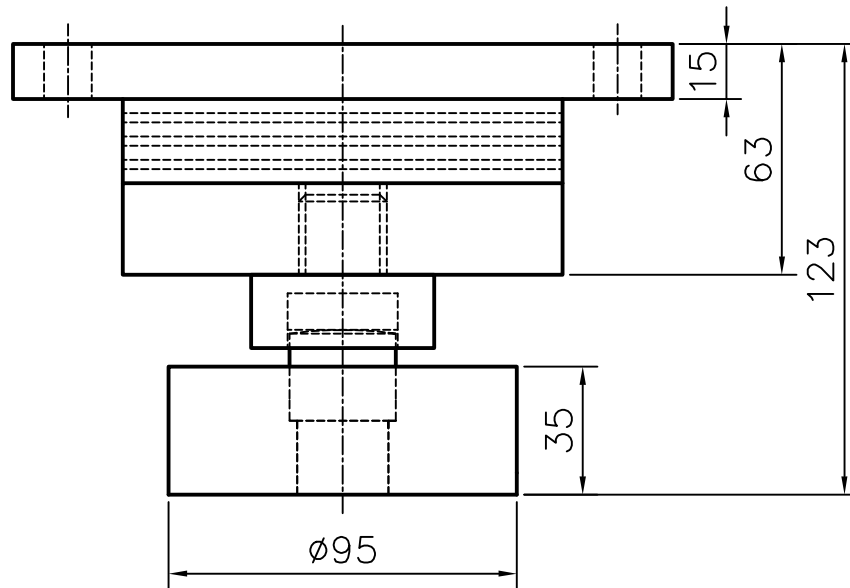


Total maximum height of load cell with foot will be 120mm

499093-00
PARTNUMBER

REVERE TRANSDUCERS EUROPE		THIS DRAWING SHALL NOT BE REPRODUCED WITHOUT PERMISSION OF REVERE TRANSDUCERS EUROPE	
GEN.TOL. #	ANGLE #	MATERIAL:	PROU.
SCALE : 2:1	ROUGHN. <input checked="" type="checkbox"/>	FINISH:	DATE : 15-09-'98
DRAWN : J. Stroeken			
DRAWING : Adjustable Foot			
RLC Cap. 10ton			
		499093	SIZE
		SHEET: 1 OF 4	Rev A2

Date	Let	Revision	By	Chk	Approvals
28-02-'02	-	New Drawing	F.G	.	
24-02-'03	A	RTE ECR-165	HSt.	.	



Level the load cell horizontally, avoiding friction between the parts.

499116-00	Steel zinc plated	
PARTNUMBER	SPECIFICATION	REMARK
REVERE TRANSDUCERS EUROPE		THIS DRAWING SHALL NOT BE REPRODUCED WITHOUT PERMISSION OF REVERE TRANSDUCERS EUROPE
GEN.TOL .	ANGLE ±	MATERIAL:
SCALE .	ROUGHN. ✓	
DRAWN : F.Grootenboer		FINISH:
DRAWING : Elastomer Mount load cell RLC 10 t		DATE : 15-12-2001
499116		—
SHEET: 1 OF 1		Rev
		SIZE
		A4