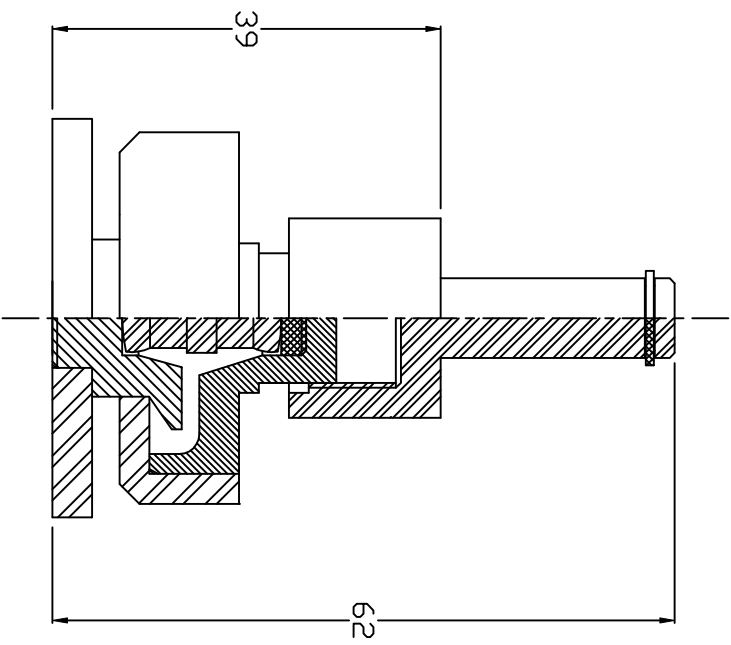
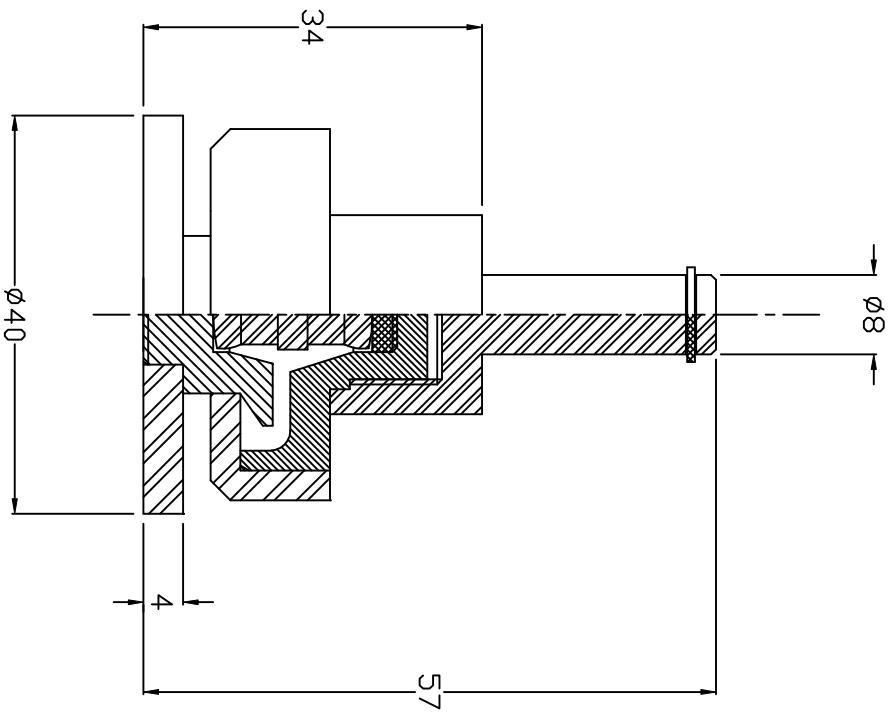


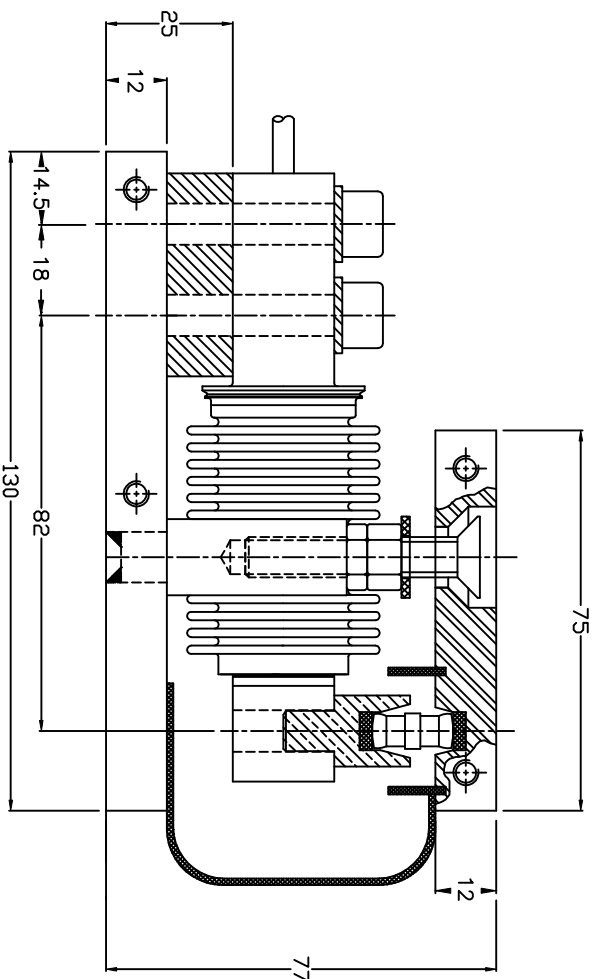
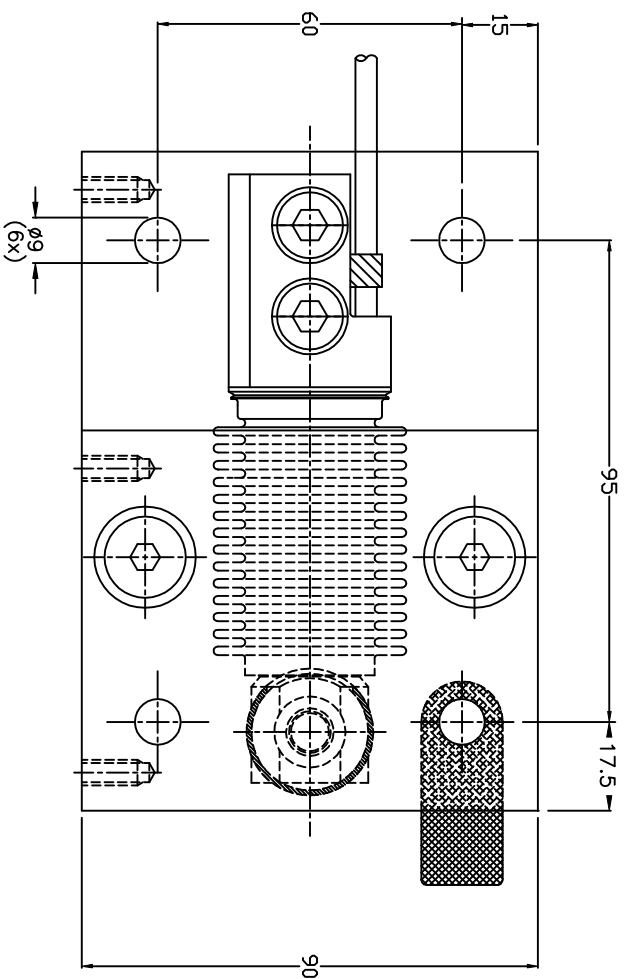
Item Number	Description	Qty	Part Number
01	Model 355	1	355
02	Packer	1	2BC152
03	Base Plate	1	2BC151
04	Shock Absorber Mounting	1	2BC154
05	Adaptor	1	2BC153
06	MB x 45 Cap Screw (Zinc Pass)	2	
07	MB Washer (S.Steel)	3	
08	MB Nyloc Nut (Zinc Pass)	1	

Capacity (kg)	Dim 'H1'	Dim 'H2'	Dia 'D1'	Thread Type
20	101.5	25	38	M10
50	101.5	25	38	M10
100	100.0	25	54	M10
200	100.0	37	72	M12
250	100.0	37	72	M12

TOLERANCE ON ALL +/- DIMENSIONS ±0.1 UNLESS STATED OTHERWISE		3	7078	12/02	Jhob	
TOLERANCE X ± 0.5, X.X ± 0.3, X.XX ± 0.15. UNLESS STATED OTHERWISE		2	6787	11/99	RPJ	Jhob
		ISSUE	E.C.R.	DATE	DRWN	CHKD
MATERIAL	TITLE					
N/A	General Assembly Shockfit - 355					
FINISH	DRG No		SHEET No		SCALE	
N/A	2BC150		1 of 1		1:1	



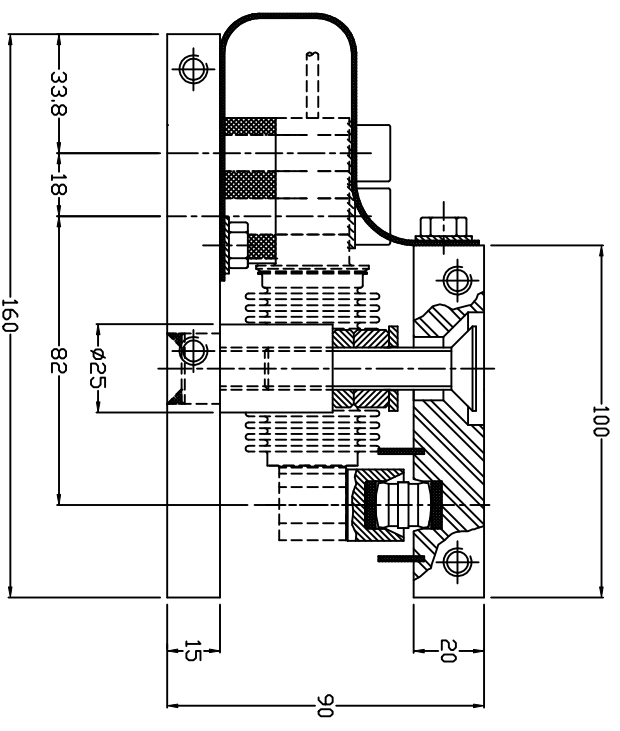
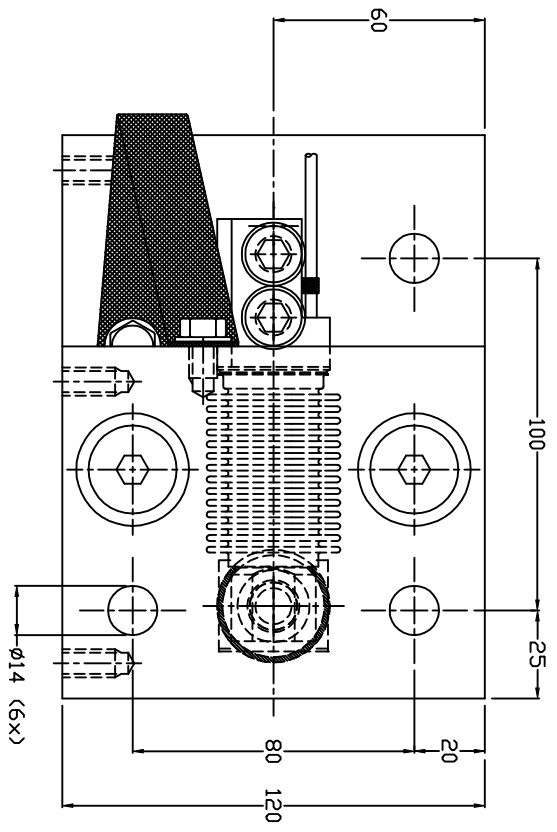
REVERE TRANSDUCERS EUROPE				THIS DRAWING SHALL NOT BE REPRODUCED WITHOUT PERMISSION OF REVERE TRANSDUCERS EUROPE	
GEN.TOL ±	ANGLE ±	MATERIAL:	Stainless Steel	PROJ.	⊕
SCALE 2:1	ROUGHN. ✓	FINISH:		DATE	02-10-'96
DRAWN : U.Dreischarf			DRAWING :		
PARTNUMBER 499070-00			ADJUSTABLE FOOT SHBXR		
SHEET: 1 OF 1			Rev. -		
SIZE A3					



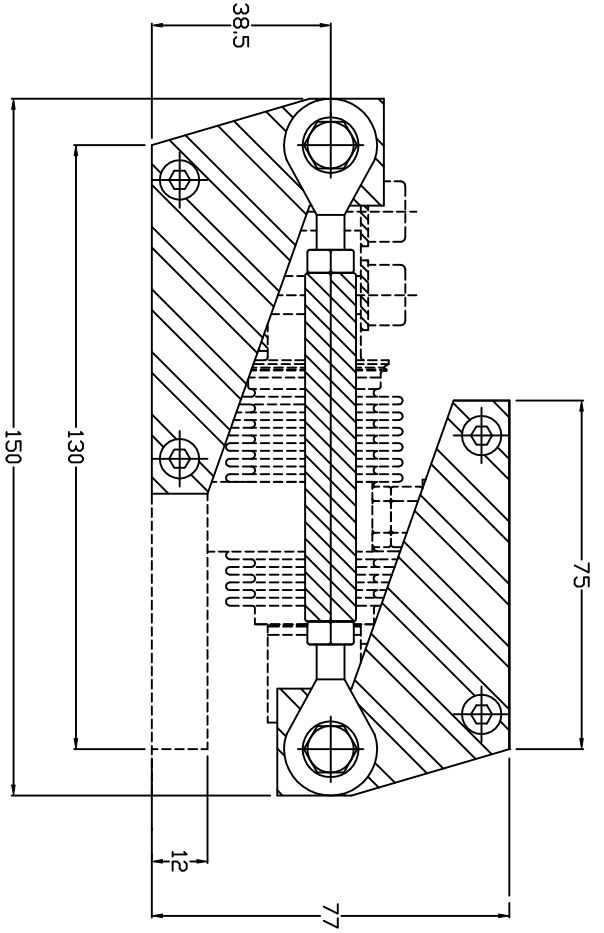
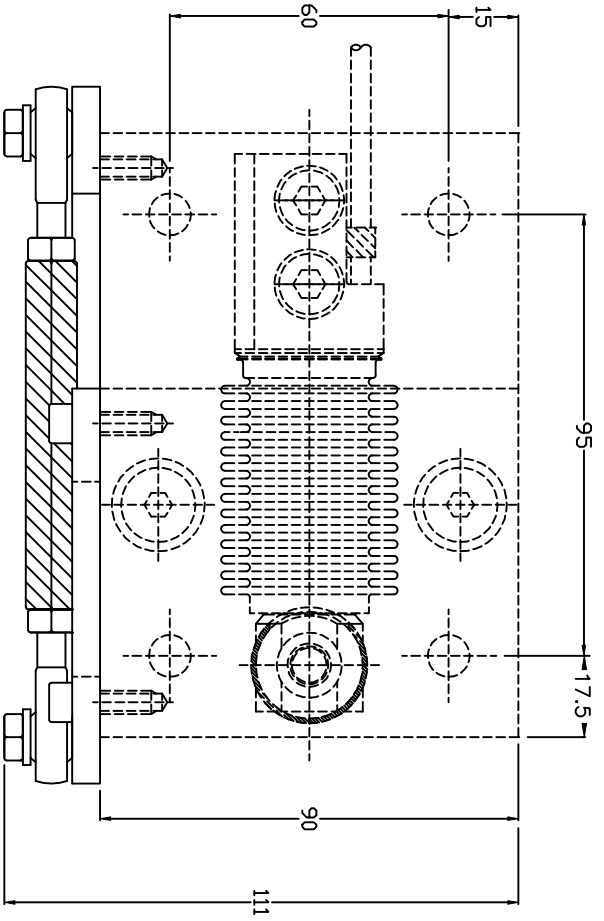
499048-10	Stainless Steel Assembly
499048-00	Steel Nickel Plated
PARTNUMBER	SPECIFICATION
REVERE TRANSDUCERS EUROPE	
GEN. TOL. \pm	ANGLE \pm
SCALE : None	ROUGHN. <input checked="" type="checkbox"/>
DRAWN : U.D. Preischhof	FINISH:
MATERIAL:	
DATE : 02-10-'96	
DRAWING : SHBXR 10/200kg	499048
Self Aligning Sliomount	SHEET: 1 OF 1
Rev	Size
	A2

THIS DRAWING SHALL NOT BE REPRODUCED WITHOUT THE WRITTEN PERMISSION OF REVERE TRANSDUCERS EUROPE.

DATE	LET	REVISION	BY	CHK	APPROVALS
21-10-'98	-	New Drawing	A.V.V./LDL		



REVERE TRANSDUCERS EUROPE					
GEN.TOL. ±	ANGLE ±	MATERIAL	THIS DRAWING SHALL NOT BE REPRODUCED WITHOUT THE PERMISSION OF REVERE TRANSDUCERS EUROPE		
SCALE 1	ROUGHEN ✓	FINISH	PROJ.	DATE 21-10-'98	SIZE
DRAWN I. A. V. V. / LDL					499095
DRAWING I. Self Aligning Mount					—
SHBXR 350 - 500kg					Rev A2
					SHEET 1 OF 3



499061-10	Stainless Steel Assembly
499061-00	Steel Nickel Plated
PARTNUMBER	SPECIFICATION
REVERE TRANSDUCERS EUROPE	
GEN. TOL. ±	ANGLE ±
SCALE : None	ROUGHN. <input checked="" type="checkbox"/>
DRAWN : U.Dreischopf	FINISH:
MATERIAL:	
DATE : 02-10-'96	
DRAWING : Stay Rod Assembly	499061
SAM SHBxR, 9102 50/200lbs	SHEET: 1 OF 1
Rev	Size
A2	A2

THIS DRAWING SHALL NOT BE REPRODUCED WITHOUT THE WRITTEN PERMISSION OF REVERE TRANSDUCERS EUROPE.