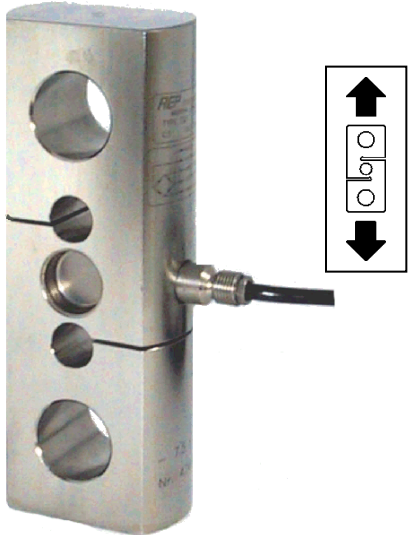


# Strekk/Dynamometer

# T20

# Tension

Tetningsgrad: IP68	Protection Class: IP68
Høy langtidsstabilitet	High long term stability
Komplett lasersveiset	Completely laser welded
For dynamiske applikasjoner	For dynamic applications

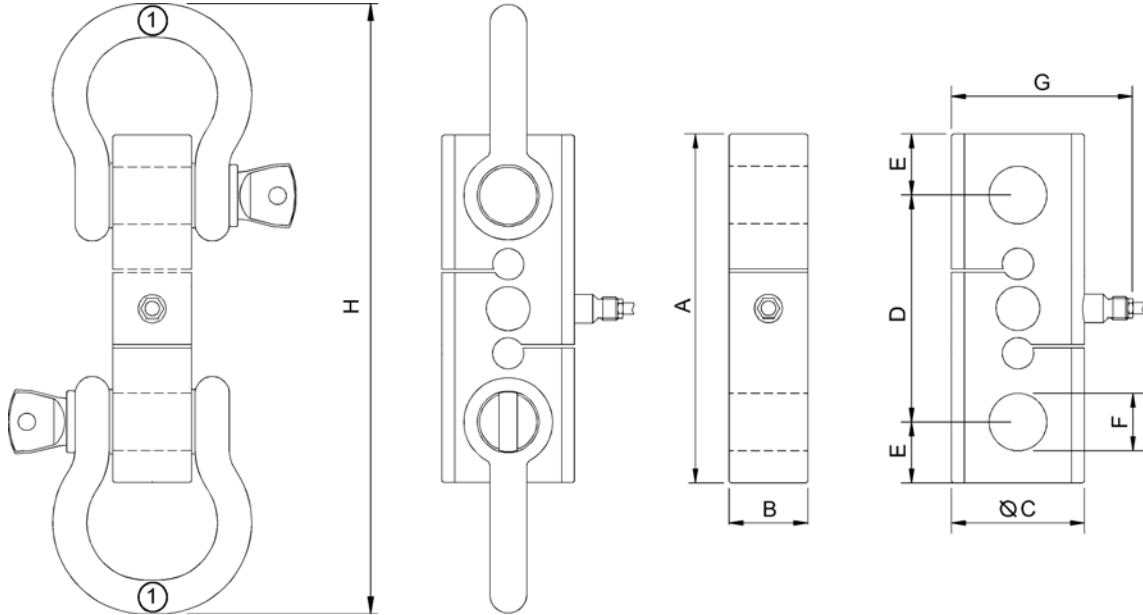


**OIML R60**      Anbefalt referansenorm  
Reference recommendation

**Dimensjoner**
**Dimensions**
**(mm)**

CODE (Class C2)	CODE (Class C3)	LOAD	A	B	ØC	D	E	*F	G
CT205TC25	CT205TC35	5 t	200	45	76	130	35	33	103
CT207T5C25	CT207T5C35	7.5 t							
CT2010TC25	CT2010TC35	10 t							
CT2015TC25	CT2015TC35	15 t	250	54	82	156	47	42.5	109
CT2020TC25	CT2020TC35	20 t							

\* Infestingshull for standard sjakler / Connection holes for standard shackles



T20:	CODE		ACCESSORIES (optional):	Ekstra tilbehør	H
5, 7.5, 10 t	CGP419.5T	①	Zinc-plated shackles	Galvaniserte sjakler	~ 434
15, 20 t	CGP4117T	①	Zinc-plated shackles	Galvaniserte sjakler	~ 566



## Tekniske data

## Technical data

Nøyaktighetsklasse: Iflg. OIML R60	ACCURACY CLASS: According to OIML R60	C2	C3
LEGALE DELINGER	LEGAL DIVISIONS	2000	3000
NOMINELL LAST ( $E_{max}$ )	NOMINAL LOAD ( $E_{max}$ )	5-7.5-10-15-20 t	
MINIMUM ANTALL DELINGER ( $V_{min}$ )	MINIMUM VERIFICATION INTERVAL ( $V_{min}$ )	$E_{max} / 10000$	
KOMBINERT FEIL REPETERBARHET NULL-DRIFT over 30 min. DRIFTING ved nominell last: a) over 30 min. b) mellom 20 og 30 min. c) over 8 timer.	COMBINED ERROR NON REPEATABILITY ZERO RETURN over 30 min. CREEP at nominal load: a) over 30 min. b) over 20 and 30 min. c) over 8 hrs.	$\leq \pm 0.023\%$ $\leq \pm 0.014\%$ $\leq \pm 0.030\%$	$\leq \pm 0.019\%$ $\leq \pm 0.011\%$ $\leq \pm 0.013\%$
TEMPERATUR EFFEKT (10 °C) a) for nullpunkt b) for følsomhet	TEMPERATURE EFFECT (10 °C) a) on zero b) on sensitivity	$\leq \pm 0.028\%$ $\leq \pm 0.008\%$	$\leq \pm 0.016\%$ $\leq \pm 0.008\%$
NOMINELL FØLSOMHET FØLSOMHETS TOLERANSE	NOMINAL SENSITIVITY SENSIVITY TOLERANCE	2mV/V $\leq \pm 0.1\%$ F.S.	
INNGANGSMOTSTAND UTGANGSMOTSTAND ISOLASJONSMOTSTAND NULLBALANSE ANBEFALT SUPPLYSPENNING NOMINELL SUPPLYSPGS.OMRÅDE MAKS. SUPPLYSPENNING	INPUT RESISTANCE OUTPUT RESISTANCE INSULATION RESISTANCE ZERO BALANCE RECOMMENDED SUPPLY VOLTAGE NOMINAL SUPPLY VOLTAGE RANGE MAXIMUM SUPPLY VOLTAGE	420 $\pm$ 20 $\Omega$ 352 $\pm$ 2 $\Omega$ > 5 G $\Omega$ $\leq \pm 0.5\%$ F.S. 10 V 1-15 V 18 V	
MEKANISKE GRENSENER REFERERT TIL NOMINELL LAST: a) minimum last b) bruksområde c) maks. tillatt last d) bruddlast e) maks. horisontal last f) maks. tillatt dynamisk last	MECHANICAL LIMIT values referred to nominal load: a) minimum load b) service load c) max permissible load d) breaking load e) max transverse load f) max permissible dynamic load	0% 120% 150% >300% 200% 50%	
DIMENSJONSENDRING VED NOMINELL LAST	DISPLACEMENT AT NOMINAL LOAD	0.3 mm	
REFERANSETEMPERATUR NOMINELT TEMPERATUROMRÅDE BRUKSTEMPERATUR LAGRINGSTEMPERATUR	REFERENCE TEMPERATURE TEMPERATURE NOMINAL RANGE SERVICE TEMPERATURE RANGE STORAGE TEMPERATURE RANGE	+23°C -10/+40 °C -20/+70 °C -20/+80 °C	
VEKT	WEIGHT	For 5 – 10 t: 4,43 kg	For 15 – 20 t: 10 kg
TETNINGSGRAD (EN 60529) MATERIALE KABELLENGDE	PROTECTION CLASS (EN 60529) EXECUTION MATERIAL CABLE LENGTH	IP68 (100h at 1m water column) Rustfritt stål/ Stainless Steel 5m	

## Elektrisk tilkoping

## Electrical Connections

PVC 105 °C skjermet kabel, Ø 6 mm med  
4 stk. fortinnede, Ø 0,35 mm<sup>2</sup> ledere

PVC 105°C shielded cable, Ø 6mm with  
4 tinned Ø0.35mm<sup>2</sup> conductors.

Veiecelle	Load Cell	TILKOPLING	WIRING	CABLE	KABEL
		MATESPENNING+	EXCITATION+	Red	Rød
		MATESPENNING-	EXCITATION -	Black	Svart
		UTSIGNAL+	OUTPUT+	White	Hvit
		UTSIGNAL-	OUTPUT-	Yellow	Gul
		-----	-----	Shield*	Skjerm*

\*Koplet til veiecellekroppen / Connected to the body of the Load Cell