

TS

**STREKK/KOMPRESJON** **TENSION/COMPRESSION**



**Tilbehør Accessories**

Stanghoder

Rod Ends

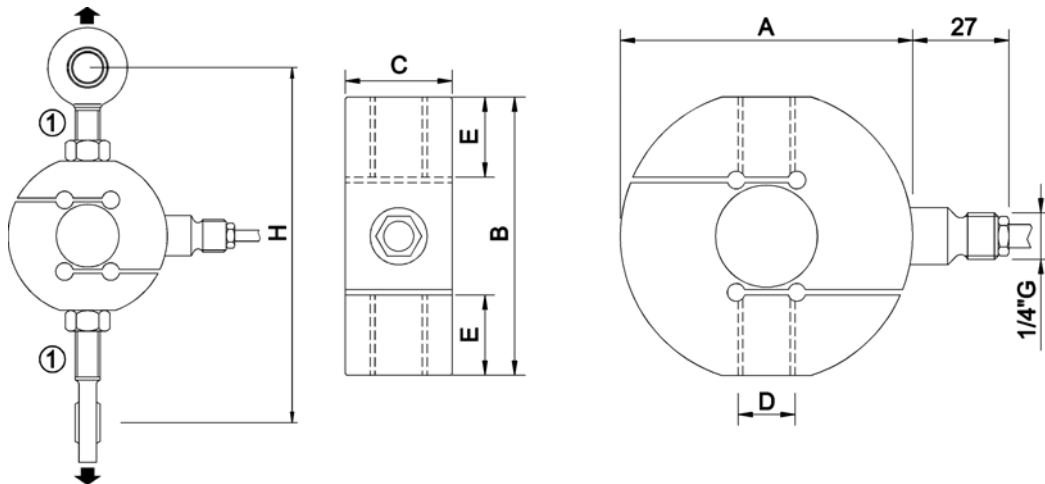


**OIML R60**

Anbefalt referanse norm  
Reference recommendation



**Dimensjoner** **Dimensions** **(mm)**



Kode/CODE (Class C2)	Kode/CODE (Class C3)	Last/ LOAD	A	B	C	D	E
CTS6350KC25	CTS6350KC35	50 kg	63.5	59.5	22	M12X1.75	13
CTS63100KC25	CTS63100KC35	100 kg					
CTS63200KC25	CTS63200KC35	200 kg					
CTS63300KC25	CTS63300KC35	300 kg					
CTS63500KC25	CTS63500KC35	500 kg					
CTS82500KC25	CTS82500KC35	500 kg	82	78	30	M16X2	20.5
CTS821TC25	CTS821TC35	1 t					
CTS822TC25	CTS822TC35	2 t					
CTS822T5C25	CTS822T5C35	2.5 t					
CTS1025TC25	CTS1025TC35	5 t					
CTS1027T5C25	CTS1027T5C35	7.5t	102	90	45	M24X2	24

**Tekniske data**
**Technical data**

Nøyaktighetsklasse: Iflg. <b>OIML R60</b>	<b>ACCURACY CLASS: According to OIML R60</b>	<b>C2</b>	<b>C3</b>
LEGALE DELINGER	<b>LEGAL DIVISIONS</b>	2000	3000
NOMINELL LAST ( $E_{max}$ )	<b>NOMINAL LOAD (<math>E_{max}</math>)</b>	50 – 100 – 200 – 300 – 500 kg 1 – 2 – 2.5 – 5 – 7.5 t	
MINIMUM ANTALL DELINGER ( $V_{min}$ )	<b>MINIMUM VERIFICATION INTERVAL (<math>V_{min}</math>)</b>	$E_{max} / 10000$	
KOMBINERT FEIL REPETERBARHET NULL-DRIFT over 30 min. DRIFTING ved nominell last: a) over 30 min. b) mellom 20 og 30 min. c) over 8 timer.	<b>COMBINED ERROR NON REPEATABILITY ZERO RETURN over 30 min. CREEP at nominal load: a) over 30 min. b) over 20 and 30 min. c) over 8 hrs.</b>	$\leq \pm 0.023\%$ $\leq \pm 0.012\%$ $\leq \pm 0.030\%$	$\leq \pm 0.018\%$ $\leq \pm 0.010\%$ $\leq \pm 0.020\%$
TEMPERATUR EFFEKT (10 °C) a) for nullpunkt b) for følsomhet	<b>TEMPERATURE EFFECT (10 °C) a) on zero b) on sensitivity</b>	$\leq \pm 0.028\%$ $\leq \pm 0.012\%$	$\leq \pm 0.020\%$ $\leq \pm 0.010\%$
NOMINELL FØLSOMHET FØLSOMHETS TOLERANSE	<b>NOMINAL SENSITIVITY SENSIVITY TOLERANCE</b>	2mV/V $\leq \pm 0.1\%$ F.S.	
INNGANGSMOTSTAND UTGANGSMOTSTAND ISOLASJONSMOTSTAND NULLBALANSE ANBEFALT SUPPLYSPENNING NOMINELL SUPPLYSPGS.OMRÅDE MAKS. SUPPLYSPENNING	<b>INPUT RESISTANCE OUTPUT RESISTANCE INSULATION RESISTANCE ZERO BALANCE RECOMMENDED SUPPLY VOLTAGE NOMINAL SUPPLY VOLTAGE RANGE MAXIMUM SUPPLY VOLTAGE</b>	420 $\pm$ 20 $\Omega$ 352 $\pm$ 2 $\Omega$ > 5 G $\Omega$ $\leq \pm 0.5\%$ F.S. 10 V 1-15 V 18 V	
MEKANISKE GRENSER REFERERT TIL NOMINELL LAST: a) minimum last b) bruksområde c) maks. tillatt last d) bruddlast e) maks. horisontal last f) maks. tillatt dynamisk last	<b>MECHANICAL LIMIT values referred to nominal load: a) minimum load b) service load c) max permissible load d) breaking load e) max transverse load f) max permissible dynamic load</b>	0% 120% 150% >300% 100% 50%	
SAMMENTRYKKING VED NOMINELL LAST	<b>DISPLACEMENT AT NOMINAL LOAD</b>	0.2 mm	
REFERANSETEMPERATUR NOMINELT TEMPERATUROMRÅDE BRUKSTEMPERATUR LAGRINGSTEMPERATUR	<b>REFERENCE TEMPERATURE TEMPERATURE NOMINAL RANGE SERVICE TEMPERATURE RANGE STORAGE TEMPERATURE RANGE</b>	+23°C -10/+40 °C -20/+70 °C -20/+80 °C	
VEKT	<b>WEIGHT</b>	0,6 kg	1,25 kg   2,6 kg
TETTINGSGRAD (EN 60529) MATERIALE KABELLENGDE	<b>PROTECTION CLASS (EN 60529) EXECUTION MATERIAL CABLE LENGTH</b>	IP68 (100h at 1m watercolumn) Rustfritt stål/ Stainless Steel 5m	

**Elektrisk tilkoping**
**Electrical connections**

PVC 105 °C skjermet kabel, Ø 6 mm med 4 stk. fortinnede, Ø 0,35 mm<sup>2</sup> ledere

PVC 105°C shielded cable, Ø 6mm with 4 tinned Ø0.35mm<sup>2</sup> conductors.

Veiecelle	Load Cell	TILKOPLING	WIRING	CABLE	KABEL
		MATESPENNING+ MATESPENNING- UTSIGNAL+ UTSIGNAL-	EXCITATION+ EXCITATION - OUTPUT+ OUTPUT-	Red Black White Yellow Shield*	Rød Svart Hvit Gul Skjerm*

\* Koplett til til veiecellekroppen. / Connected to the body of the load cell.

**Stanghoder**
**Rod Ends**

TS:	CODE		TILBEHØR	ACCESSORIES:	H
50, 100, 200, 300, 500 kg	CACCEM12	①	Stanghoder	Rod Ends	~ 140
0.5, 1, 2 t	CACCEM16	①	Stanghoder	Rod Ends	~ 175
2.5 t	CACCEM20	①	Stanghoder	Rod Ends	~ 190
5, 7.5 t	CACCEM24	①	Stanghoder	Rod Ends	~ 235