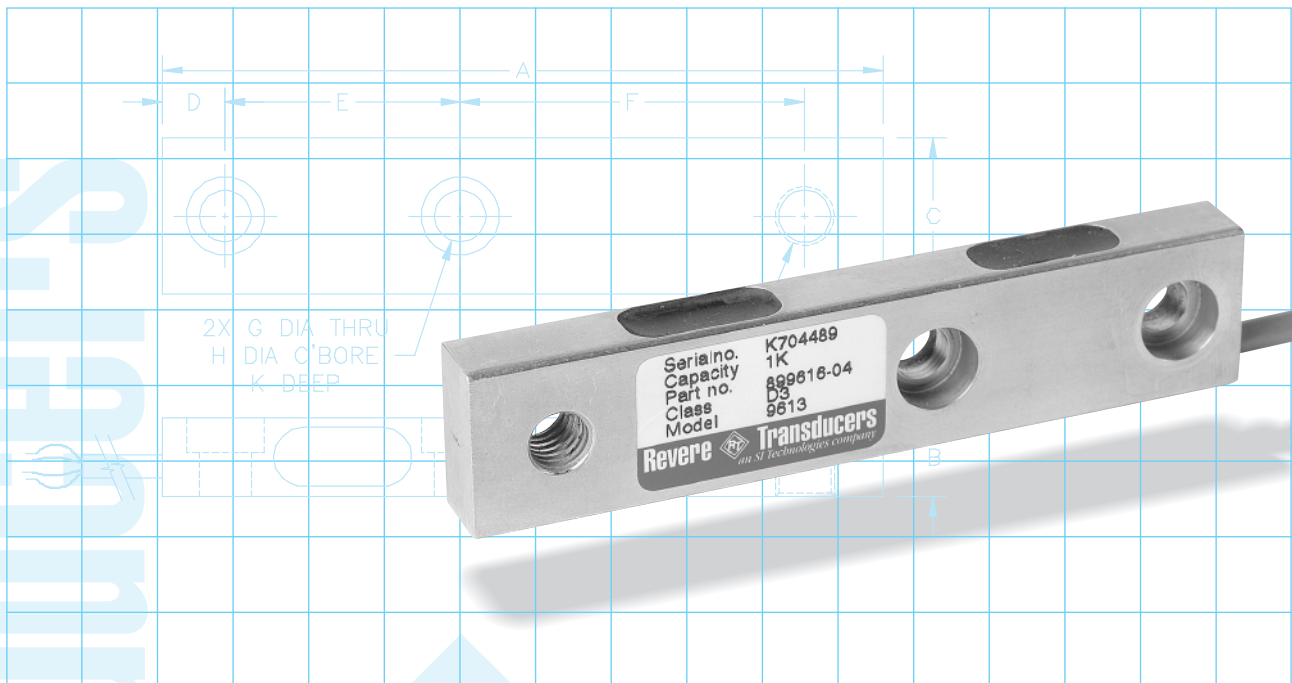


9613 SINGLE ENDED BEAM LOAD CELL



FEATURES:

- Capacities: 50 to 1000 lbs
- Sealing: IP67 (DIN 40.050)
- Material: Stainless steel
- Low profile

APPLICATIONS:

- Laundry scales
- Low capacity weighing
- Belt scales
- Limited space applications

DESCRIPTION:

The 9613 is a Single Ended Shear Beam type load cell, specifically designed for low capacity and limited space weighing applications.

The low profile and small package size, 0.5" high makes it easy to install in limited space applications.

APPROVALS:

9613: SPECIFICATIONS

Parameter	Symbol	Unit of Measure	Specification
			Imperial
Capacities	E_{max}	lb	15, 250, 500, 750, 1000
Accuracy Class			D3
Accuracy Class According to			Non-NTEP
Potentially Explosive Atmospheres options			
Maximum number of Verification Intervals	n_{ic}		
Minimum Verification Interval	V_{min}		
Combined Error ¹		±%S	0.03
Creep error (20 minutes)		±%S	0.03
Temperature Effect on Zero	TC_0	±%FS/5°C (°F)	0.0135 (0.0015)
Temperature Effect on Output	TC_S	±%S/5°C (°F)	0.0072 (0.0008)
Rated Output	FS	mV/V	3 ± 0.008
Compensated Temperature Range	T_{cps}	°C (°F)	-10 to +40 (+14 to +104)
Operating Temperature Range	T_{opr}	°C (°F)	-53 to +93 (-65 to +200)
Environmental Protection			IP67
Cable Length		m (ft)	3 (10)
Cable Type			4 Wire Shielded, shield is not connected to load cell body
Zero Balance		±%FS	1.0
Safe Load Limit	E_{lim}	% E_{max}	150
Ultimate Load	E_{ult}	% E_{max}	300
Safe Side Load Limit		% E_{max}	100
Excitation Voltage		Volts AC or DC	10 Recommended, 15 Maximum
Input Resistance		Ohms	350.0 ± 3.5
Output Resistance		Ohms	350.0 ± 3.5
Insulation Resistance at 50 VDC		Mega Ohms	>5000
Element Material		ASTM	Stainless Steel

Notes:

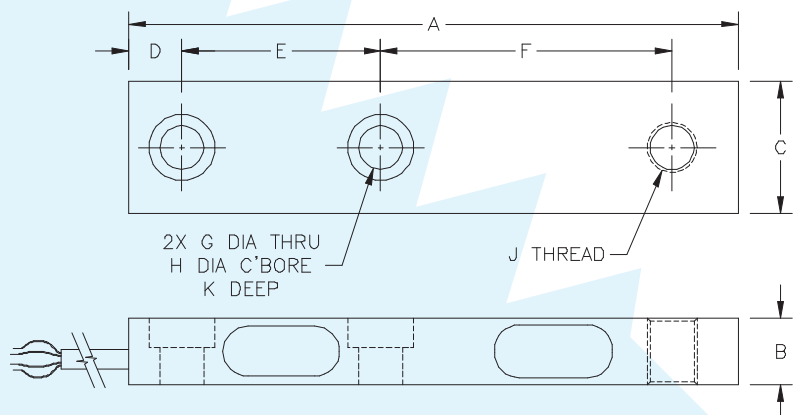
- We continually improve our products and therefore specifications are subject to change without notice.
- The accuracy may be affected if 4-wire load cell cables are shortened.

[1] Includes the effects of Non-Linearity and Hysteresis.

Wiring color code:

Excitation +	Red
Excitation -	Black
Output +	Green
Output -	White
Shield	Transparent

Capacity	Dimensions in inches	
	50-500	750 - 1K
A	4.50	4.60
B	0.49	0.50
C	0.73	1.00
D	0.40	0.40
E	1.50	1.50
F	2.20	2.20
ØG	0.26	0.38
H	0.37	0.50
J Rad	5/16-24UNF-2B	3/8-16 UNC-2B
K	0.20	0.27



Attention: All dimension tolerances according to ISO 2768m, unless otherwise specified.

Mounting:

Correct mounting of the load cells is essential to ensure optimum accuracy and performance. Further information is available on request.

REVERE TRANSDUCERS EUROPE
 Ramshoorn 7
 4824 AG Breda
 The Netherlands
 Tel.: (+11) 76 5412854
 Fax: (+31) 76 5480700
 E-mail: info@revere.nl
 www.revere.nl

REVERE TRANSDUCERS INC.
 14192 Franklin Avenue
 Tustin, CA 92780-7016
 U.S.A.
 Tel.: (+1) 714.731.1234
 Fax: (+1) 714.731.2019
 E-mail: info@reveretransducers.com
 www.reveretransducers.com